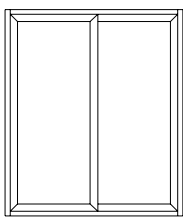
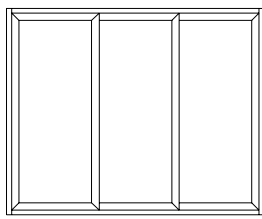




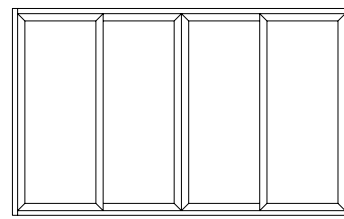
Series SI7256 thermally enhanced aluminum lift and slide door system for use in commercial and residential applications. When in a closed position, the sliding panels are locked down onto sill for superior air and water performance. Any number of panels can be used to completely open an elevation.



XX • XO • OX



XXX • OXX • XO • OX



XXXX • XO • OX • ...XXXX...  
Additional configurations available

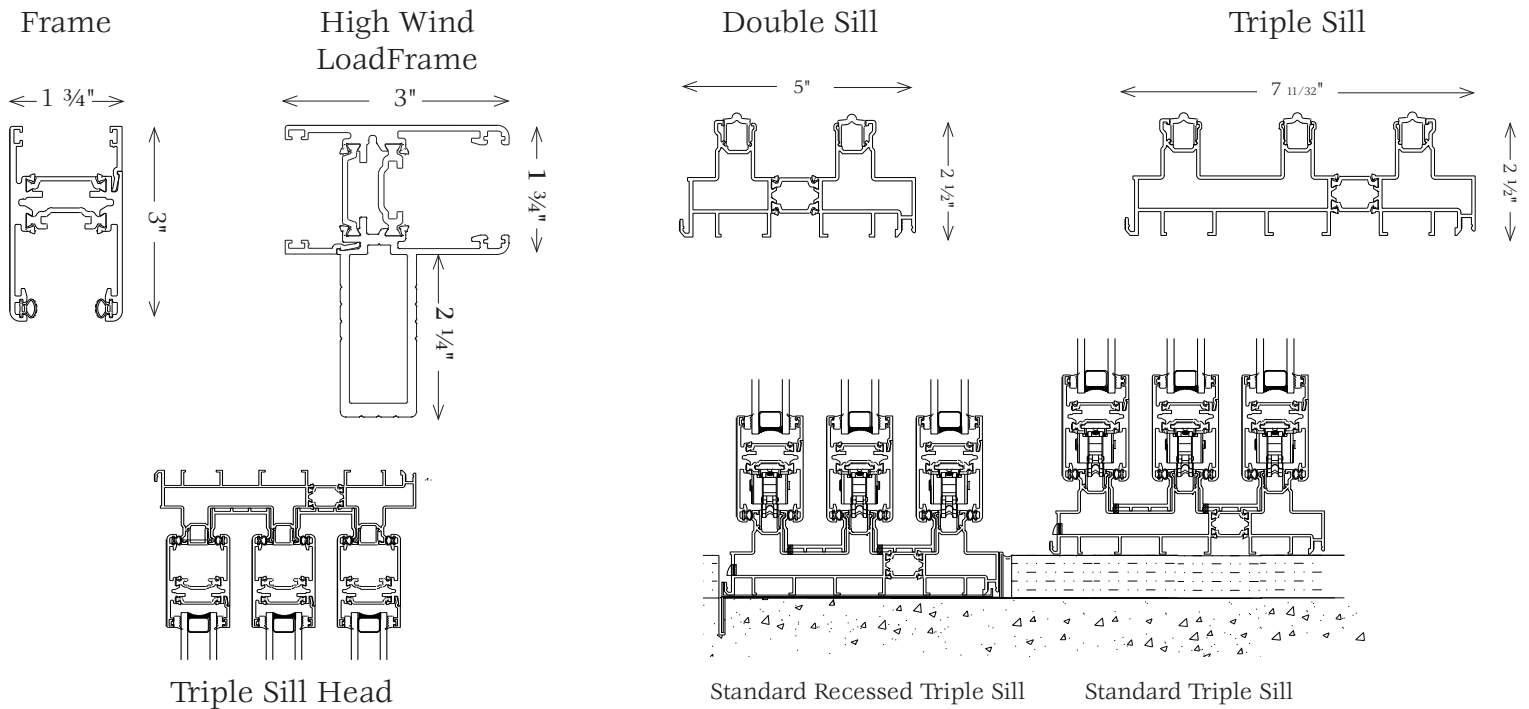
## Features:

- Thermally enhanced with ibsulbar
- Glazing infills up to 1"- 1 1/8"
- Multi-point locking hardware
- Standard finishes: AAMA 2603
  - Duracron: Hartford Green, Bronze, Black, Natural Clay, White, Sandstone
- Class I anodized: Dark Bronze, Clear
- Maximum Panel Sizes
  - Door panel = 440lbs.
  - Window panel = 176lbs.
  - Oversized panels upon request
- Almost unlimited numbers of multi-sliding panels
- Mitered Corners

## Options:

- Decorative interior and exterior grids
- Custom finishes
  - Powder coat finish: AAMA 2603-2604
  - Fluoropolymers (50% or 70%): AAMA 2604-2605
  - Veneer & cladding options
  - Dual color or dual finish options
- Mesh insect screen
- Pocketing configurations
- Designed to accommodate any monolithic, insulated, laminated, decorative, polycarbonate, or solid panel infill





## Prima Handle + Pull



### Standard Option

Interior and Exterior  
Lock Option is not Standard.

Standard Colors:  
Black, White, & Painted Silver

Additional charges apply for keyed option.

### Removable Option

This option is NOT Standard.

Additional charges may apply.

### Standard Pull #109

Standard: Internal and External

External only option available.

Finishes: 626 Satin Chrome or  
313 Dark Bronze Anodized

## EvoDesign Stock Handle Options

Available in Satin Chrome and Satin Bronze only.



Margherita\*\*

Martina\*\*

Alba\*\*

Chiara\*\*

Barbara\*\*

\*\* Additional charges apply. Current inventory may extend lead times.

### Additional Hardware Options Available

Please visit: [www.solarinnovations.com](http://www.solarinnovations.com)  
or speak with your Solar Innovations, Inc.  
Sales Representative.

## Acoustical Tested Product

Series Number	Test Report	Product	Glazing Thickness	Glazing Makeup	STC	OITC
SI7256	B3272.01-113-11	Lift and Slide Operable Door	1 5/16"	5/16" Laminated, 11/16" Air Space, 5/16" Laminated	36	33

Testing and performance results may vary depending upon sill and hardware selections.  
Please be sure to visit our website for additional product information.

[www.solarinnovations.com](http://www.solarinnovations.com)

