

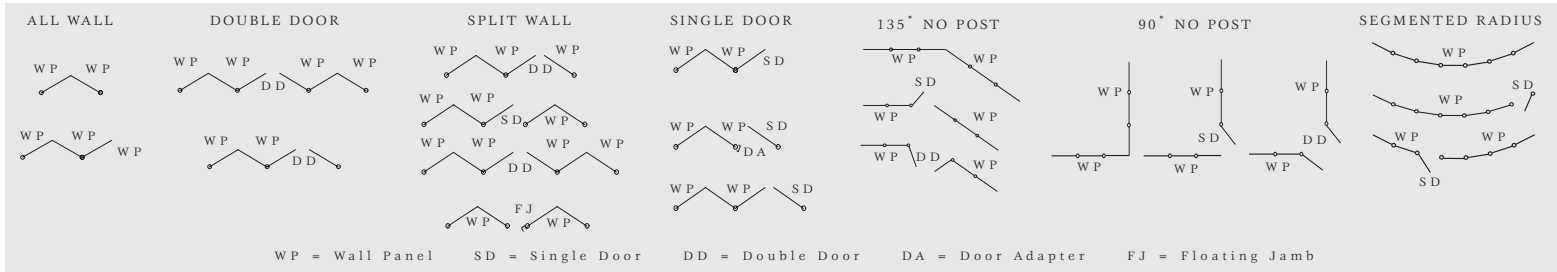
Folding Glass Wall System

SI3000

SI3250 • SI3350 • SI3450 • SI3600



Series SI3000 thermally enhanced aluminum folding glass wall system for use in commercial and residential applications. Offers exceptional air, water, structural, and thermal performance in any condition. Multiple sill options and profile dimensions provide greater performance and design flexibility. Customization of product profiles, hardware, sills, panel size, and testing can be completed upon request.



Features:

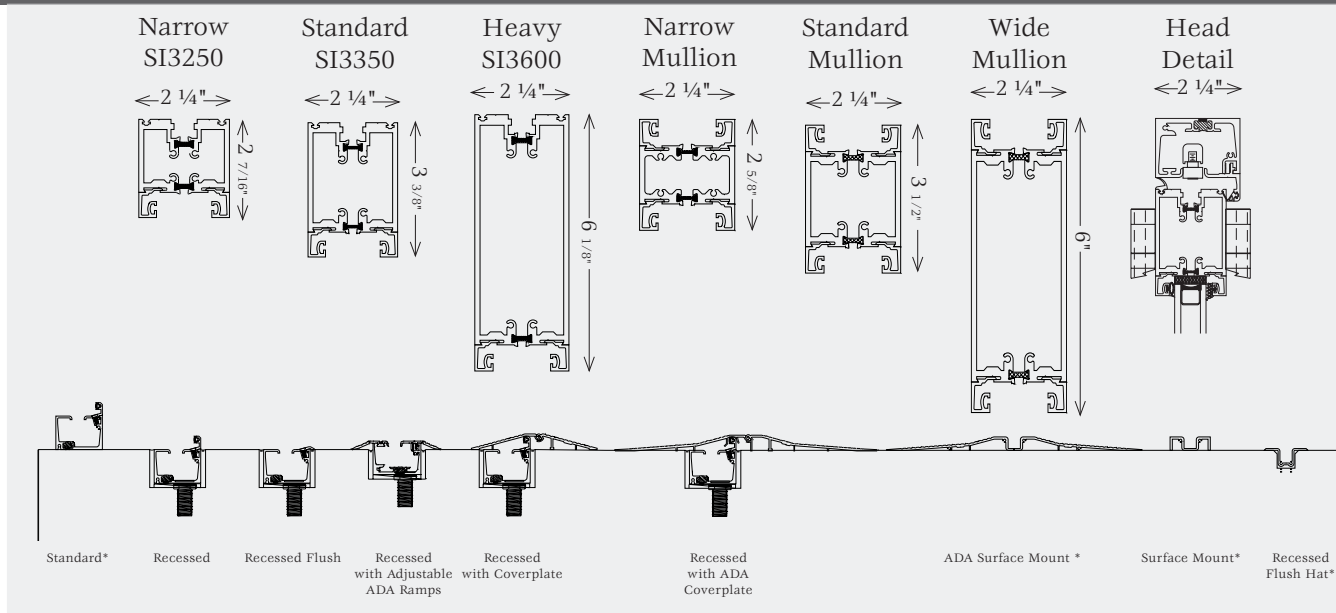
- Water performance, up to 13 psf, depending upon sill choice.
- Thermally enhanced with iso-bar thermal break.
- Operable hardware custom manufactured by Solar Innovations, Inc.
- Zero-maintenance extruded aluminum hinge with stainless steel pin
- Roller assemblies designed to minimize and simplify panel maintenance
- Multiple hardware styles and finishes
- Accommodates monolithic and insulated glazing infills from 3/16" to 1 1/8"
- Standard baked enamel finishes (AAMA 2603)
 - Duracron: Hartford Green, Bronze, Black, Natural Clay, White, Sandstone
- Top or bottom load, inswing or outswing operation
- LEED friendly system including recycled content
- Designed and manufactured in the U.S.A.

Options:

- Matching fixed transoms and sidelites
- Integrated swing doors: single or double
- Class I Anodized: Dark Bronze, Clear
- Custom finishes
 - Powder coat finish: AAMA 2603-2604
 - Fluoropolymer (50% or 70%): AAMA 2604-2605
 - Veneer & cladding options
 - Dual color or dual finish options
- Decorative interior and exterior grids
- Screen options: folding, sliding, retractable
- Multiple sill designs, including ADA compliant ramps
- Factory installed sill drain tubes, if required
- Designed to accommodate any monolithic, insulated, laminated, decorative, polycarbonate, or solid panel infill



SI3250 • SI3350 • SI3450 • SI3600



Coastal Applications

Back Plate Options



*Product Option Not Yet Tested. Oversized units are available dependent upon engineering approval.

Brass Handle Options



Color Options

- Polished Chrome (C)
 - Oil Rubbed Brass
 - Brushed Chrome (C)
 - Rustic Umber
 - White
 - Matte Black
 - Satin Nickel (C)
 - Brass (C)
 - Antique Nickel (C)
- (C) = Heavy Saltwater Resistant Finishes

Exterior Entry Trim



Matching interior passage sets available.
For double door applications, concealed vertical rod panic hardware is available.

Entry trim with thumb turn and wire pull available.

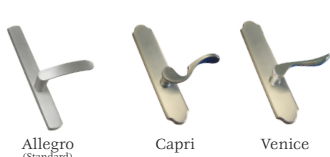
Inland Applications

Back Plate Options



Both styles available with:
46 - Thumb Turn - Interior Lever - Exterior
10 - Lever - Interior Lever - Exterior
92 - Thumb Turn - Interior Keyed Exterior

Solid Brass Handle Options



Hardware Not available for doors exceeding 2 1/2" thickness

Color Options

- Satin Chrome
- Polished Chrome
- Polished Brass Brass**
- Antique Brass
- Dark Bronze (25 US10B)
- Pewter
- White Powder Coated
- Black

Aluminum Options

Back Plate Handle Options



Color Options

- Pure White
- Chesnut
- Painted Silver

Hinge Options



Hinge Finish Options:
Clear Anodized, Dark Bronze Anodized, Black, Bronze Color, Natural Clay, White, or Sandstone
Custom Colors Available*



Handle color choices:
Clear Anodized, Dark Bronze Anodized, White Painted, or Bronze Painted
Custom Colors Available*
(*Additional Charges Apply)

Lock Options



Lock color choices:
Metal, Clear Anodized, Black Painted, or White Painted. **Guard in Black or White.**

Please note that test results are dependent upon panel size and frame type. Depending on your individual project's performance requirements, Solar Innovations, Inc. may substitute an alternate frame size/style which will not alter the door's function, but will better fit your application. Please contact your Solar Innovations, Inc. representative for more information on product performance.

G2 Dual Wheel Folding Glass Wall 3' x 8' Panel										
Wall Type	Panel Width	Panel Height	Operation	Load	Air	Water	DP(psf)	NCTL Report #	Florida #	
"Split wall"	36"	96"	Outfold	Bottom	<0.01 @ 1.57	12psf	±80	NCTL-110-15005-1	12278.12	
			Outfold	Bottom	0.07 @ 1.57	-				12278.13
			Infold	Bottom	0.02 @ 1.57	9psf				12278.14
			Outfold	Top	-	12psf				12278.15
"All wall"	36"	96"	Outfold	Bottom	<0.01 @ 1.57	15psf	±80	NCTL-110-14994-1	12278.9	
"No post"	36"	96"	Infold	Bottom	0.05 @ 1.57	9psf	±80	NCTL-110-14992-1	12278.1	
"Panic"	36"	96"	Outfold	Bottom	-	-	±65	NCTL-110-15135-1	Added to series	
"Radius"	36"	96"	Infold	Bottom	0.08 @ 1.57	9psf	±80	NCTL-110-15540-1	11278.11	
"Radius Flush"	36"	96"	Infold	Bottom	0.09 @ 1.57	9psf	±70	NCTL-110-15540-1	11278.11	

Please see: SI3350 cutsheet for NOA and HVHZ information.