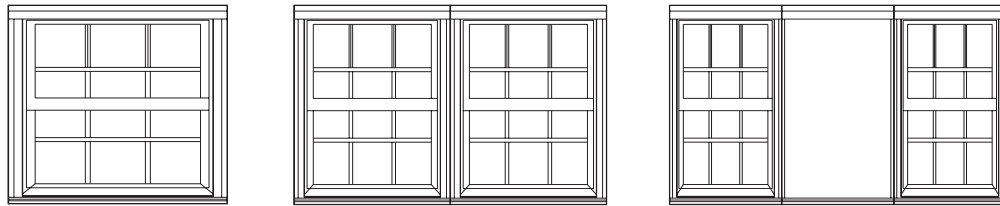


SI7300



SI7300 series Hung Windows provide the ease and convenience of traditional Hung Windows but feature the thermal performance and long life of an aluminum product. Appropriate for new construction or remodeling projects.



## Features:

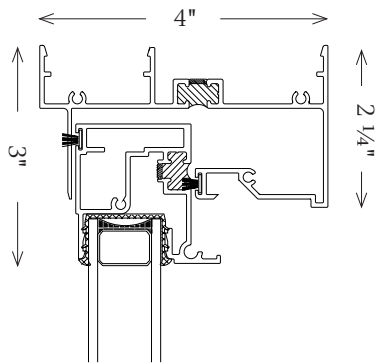
- Thermally enhanced aluminum profiles
- Single or double hung
  - Minimum Panel Size 14" x 26"
  - Maximum Panel Size 55 3/4" x 109 3/4"
- Accommodates monolithic, laminated, and insulated glazing infills from \_\_\_ to 1"
- Tilt-in sash for easy cleaning
- Locking lift latch
- Mesh insect screen
- Standard finishes
  - Duracron: Hartford Green, Bronze, Black, Natural Clay, White, Sandstone

## Options:

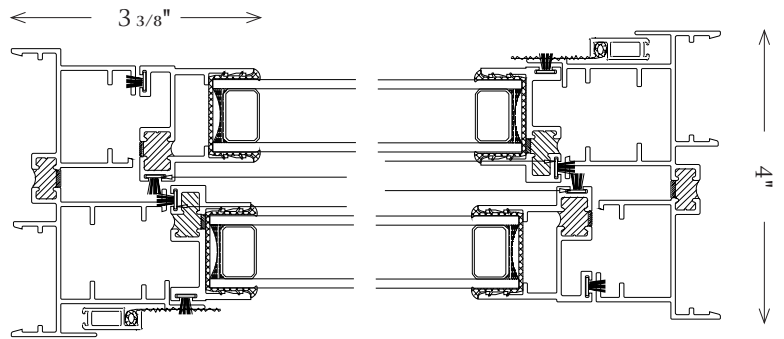
- Custom finishes
  - Class I anodized: Dark Bronze, Clear
  - Powder coat finish: AAMA 2604-05
  - Fluoropolymer: 50% or 70%
  - Wood and metal cladding
- Decorative interior and exterior grids
- In system frame flange

## SI7300

Head

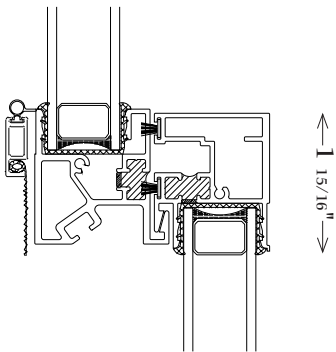


Jamb



Mulling Options

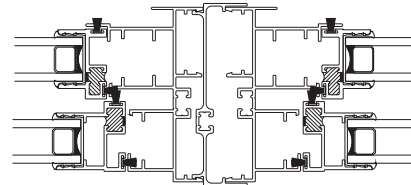
Intermediary



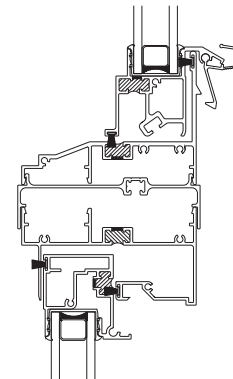
Mulling Profile



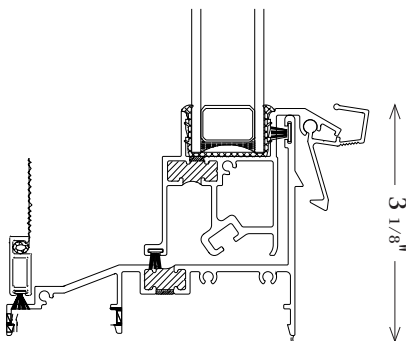
Horizontally Mullled Profiles



Vertically Mullled Profiles



Sill



Please be sure to visit our website for additional product information.  
[www.solarinnovations.com](http://www.solarinnovations.com)

