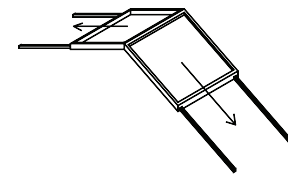
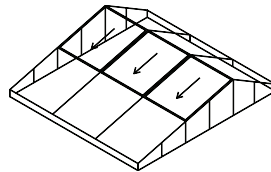
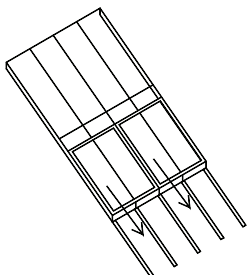


SI6501



SI6500 series thermally enhanced aluminum retractable skylight for use in commercial and residential applications. Can be inserted into a glazed SI Structure or integrated into any traditional roof construction to provide exceptional ventilation and views.



Features:

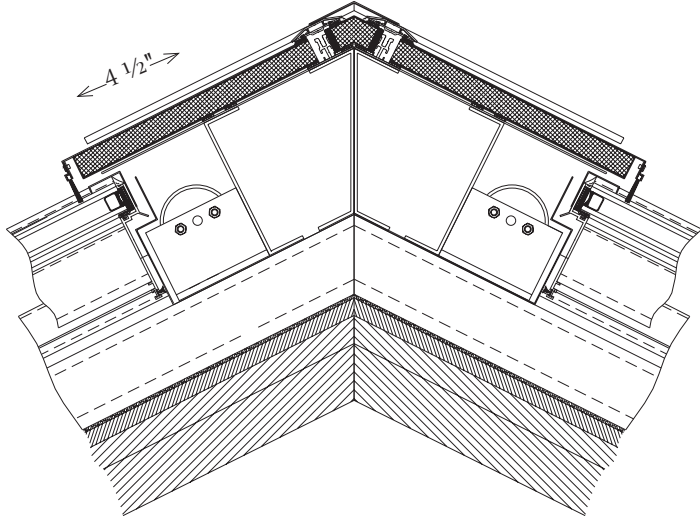
- Glazing in-fills from 3/16" up to 1 1/8"
- Accommodates any glazing option including glass, polycarbonate, acrylic, or insulated metal panels
- Standard finishes
 - Duracron: Hartford Green, Bronze, Black, Natural Clay, White, Sandstone
- Minimum pitch 2/12
- Maximum panel size/motor 8' x 8' - polycarbonate infill
- Maximum panel size/motor 6' x 8' - glass infill
- Larger sizes may be accommodated with engineering approval.
- Motorized 110V tube motor with cable drive
- Mesh insect screen

Options:

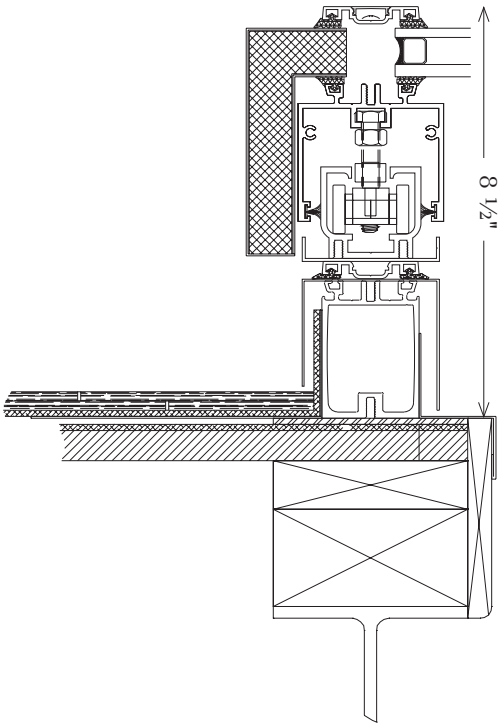
- Integrated features
 - Rain sensors
 - Wireless remote control
- Custom finishes
 - Class I anodized: Dark Bronze, Clear
 - Powder coat finish: AAMA 2604-05
 - Fluoropolymer: 50% or 70%
 - Wood and metal cladding
- Oversized panels upon request
- Manual options available in limited options



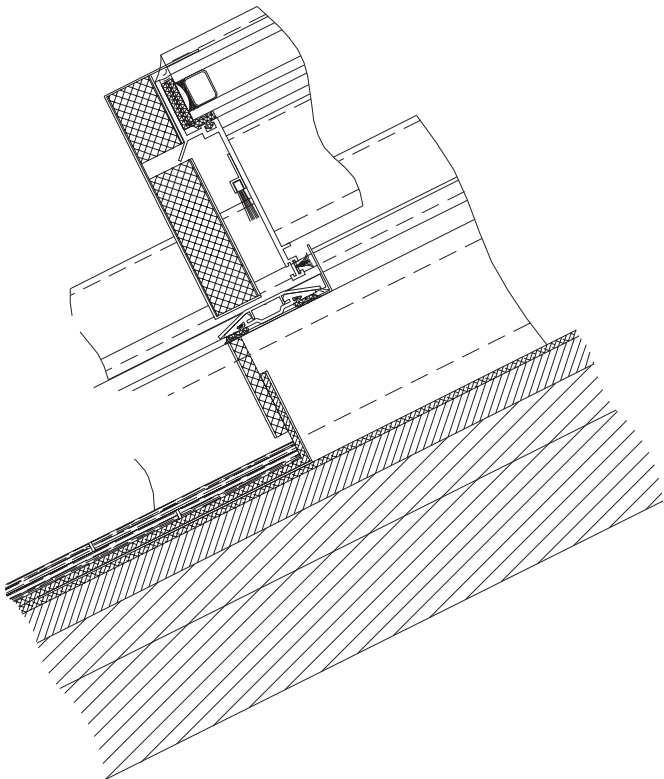
Ridge



Roller Assembly



Sill



Please be sure to visit our website for additional product information.
www.solarinnovations.com

