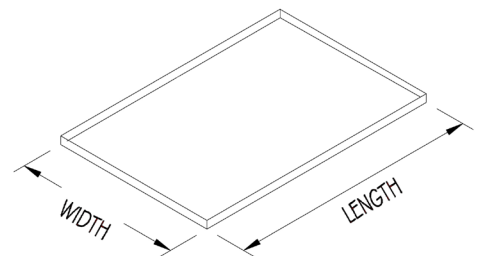
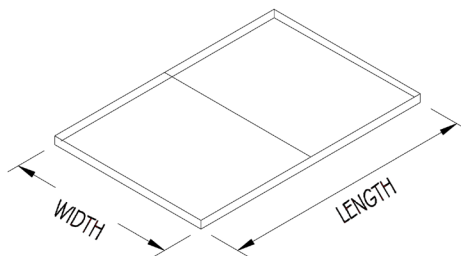
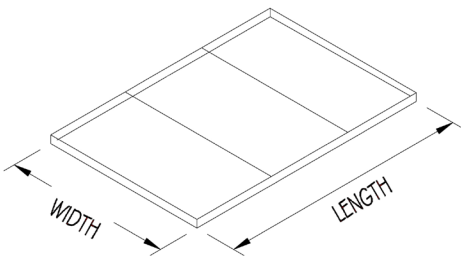




SI5900 thermally-enhanced aluminum welded curb modular skylight for residential and commercial applications. The welded curb design provides a weather-tight, self-flashing curb for simplified installation onto a structural curb provided "by others".

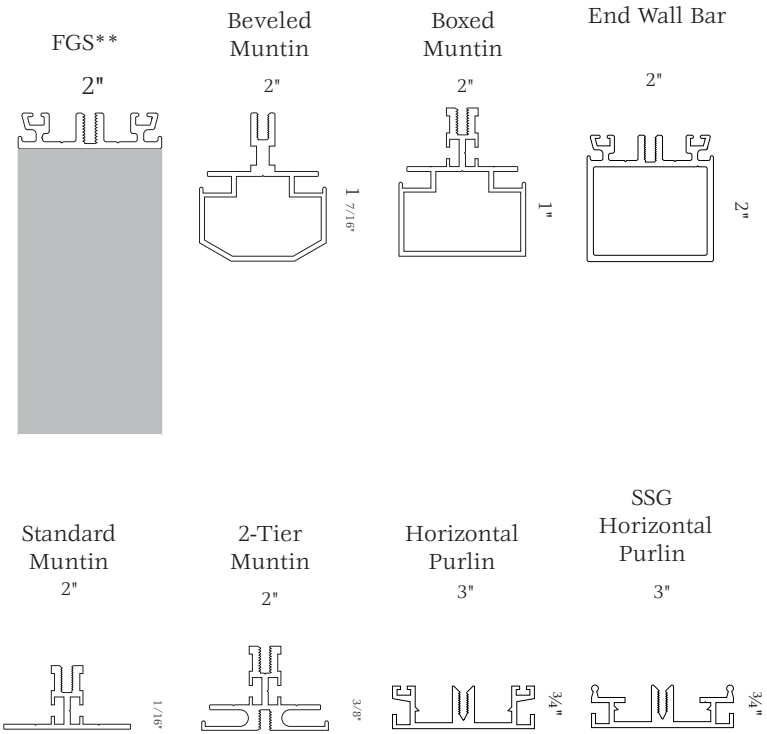


Features:

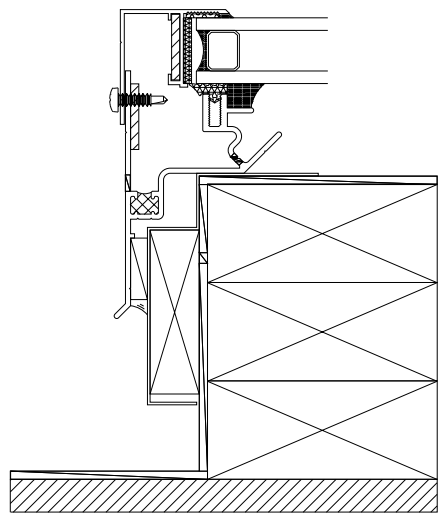
- Thermally-enhanced aluminum welded curb
- Self-flashing curb
- Available in fixed modules up to 4' x 8' (no purlins) or 3-bay maximum
- Hurricane Impact Tested
- AAMA HC-75
- Pre-assembled, Pre-glazed delivery
- 2-or 3-Tiered drainage system with concealed interior condensation gutters.
- Glazing in-fills from 3/16" to 1 1/2"; thicker glass options depending upon engineering
- Standard finishes
 - Duracron: Hartford Green, Bronze, Black, Natural Clay, White, Sandstone

Options:

- Aluminum or wood rafters and purlins
- Custom finishes
 - Class I anodized: Dark Bronze, Clear
 - Powder coat finish: AAMA 2604-05
 - Fluoropolymer: 50% or 70%
 - Veneer & cladding options
- Designed to accommodate any monolithic, insulated, laminated, decorative, polycarbonate, or solid panel infill



Curb



Performance Test# 110-10113-1S					
Panel Size	Certification Test# 110-11305-2	DP (psf)	Air (@ 6.2psf)	Water (@ 6.24psf)	U-Value
50" x 98"	Impact FL#11259.2	± 65	.04	12.0	.35

Texas Department of Insurance Certified - Test #SK-27
 **2.5" and 3" FGS are possible.

Testing and performance results may vary depending upon sill and hardware selections.
 Please be sure to visit our website for additional product information.

www.solarinnovations.com

