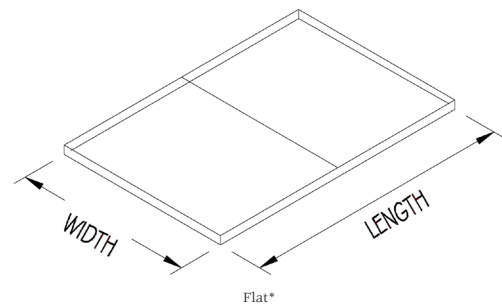
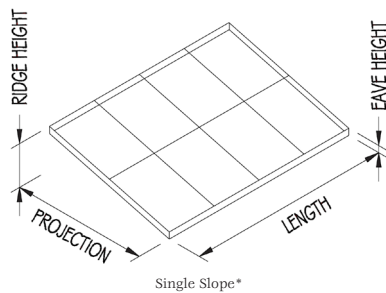


SI4306 Thermally-enhanced aluminum Poly Wall skylight system for use in commercial and residential applications. The 60 mm thick (2 3/8") 10 wall polycarbonate panel in-fill provides exceptional thermal and structural performance, while allowing diffused light to fill the space without unwanted glare.



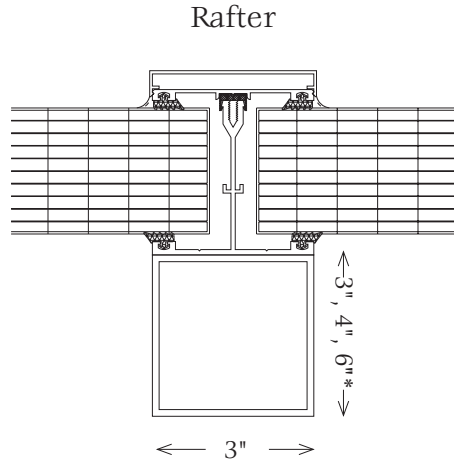
Features:

- Thermally-broken aluminum skylight
- 60 mm, 10 wall polycarbonate panel in-fill
- Standard polycarbonate colors selections: clear and opal
- Maximum panel length: 8' 3"
- Maximum panel width: 4'
- R-value range from 8 to 13
- Large missile impact tested
- Standard finishes
 - Duracron: Hartford Green, Bronze, Black, Natural Clay, White, Sandstone
- LEED friendly system including recycled content
- Designed and manufactured in the U.S.A.

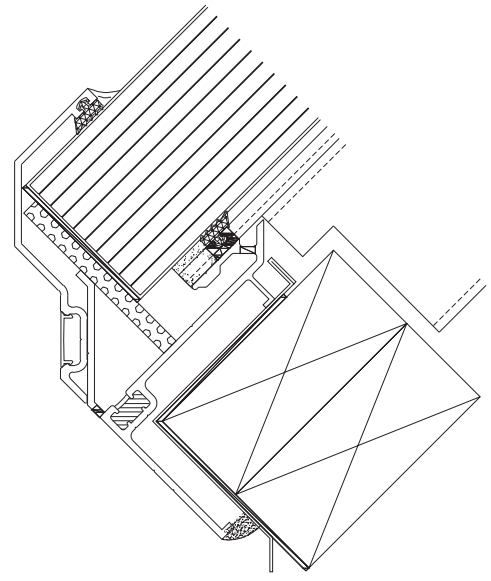
Options:

- Custom finishes
 - Class I anodized: Dark Bronze, Clear
 - Powder coat finish: AAMA 2604-05
 - Fluoropolymer: 50% or 70%
 - Veneer & cladding options
 - Dual color or dual finish options
- Nanogel in-fill for improved U-value

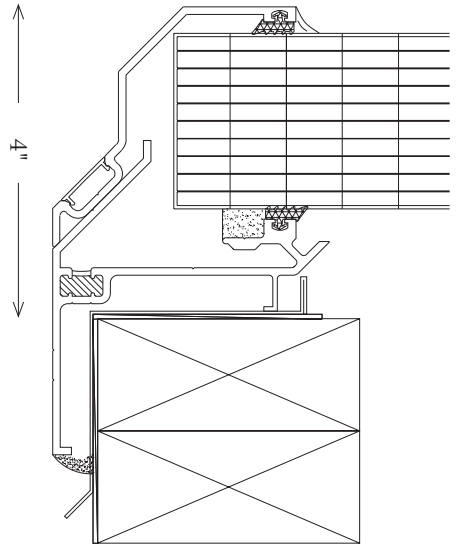




45° Curb



Flat Curb



Performance					
Panel Size	Test #	Impact	DP (psf)	Air (@ 1.6psf)	Water (@ 5.0psf)
99" x 99"	110-12568-2	Large Missile Impact	± 60	.01	15.0

*Additional depth may be available upon request.
 Please be sure to visit our website for additional product information.
www.solarinnovations.com

