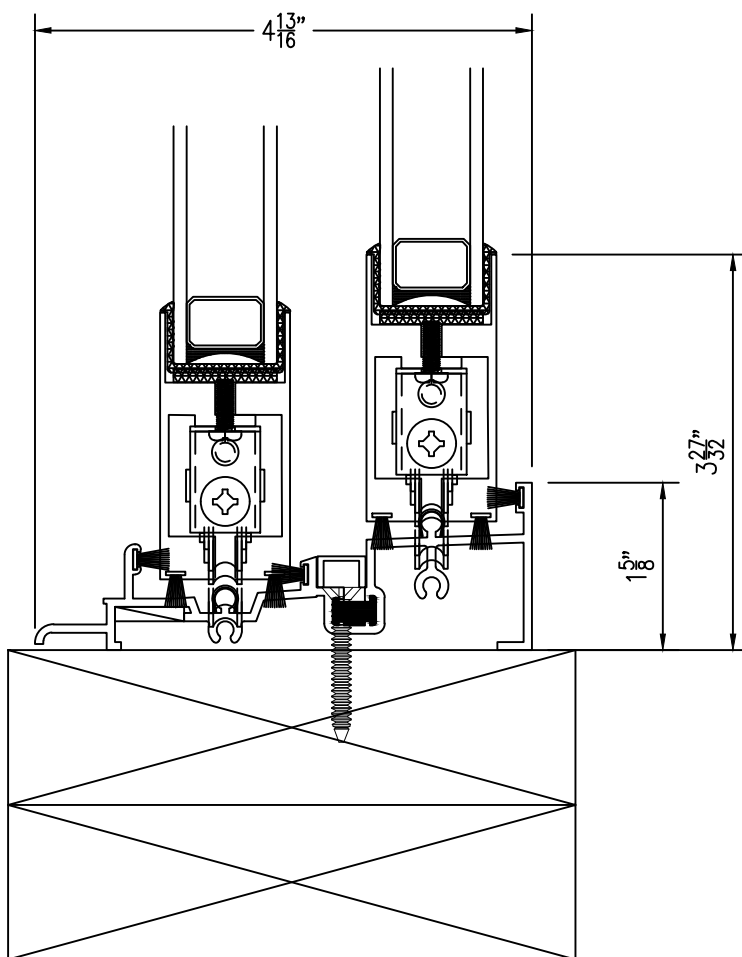


H8501

"EXTERIOR"

"INTERIOR"

H8502



| | |
|---------------|----------------------|
| DETAIL NAME: | SLIDING - DUAL TRACK |
| BLOCK NAME: | |
| APPROVED BY: | APPROVAL DATE: |
| DRAWN BY: AJM | REVISED BY: |
| DRAWING DATE: | REVISION DATE: |