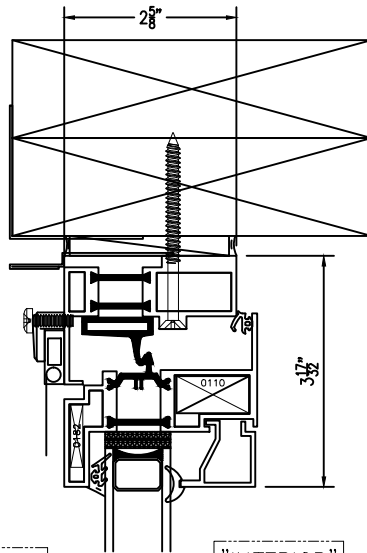
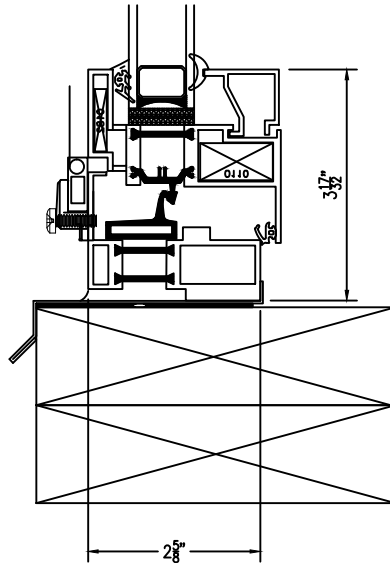


H7251



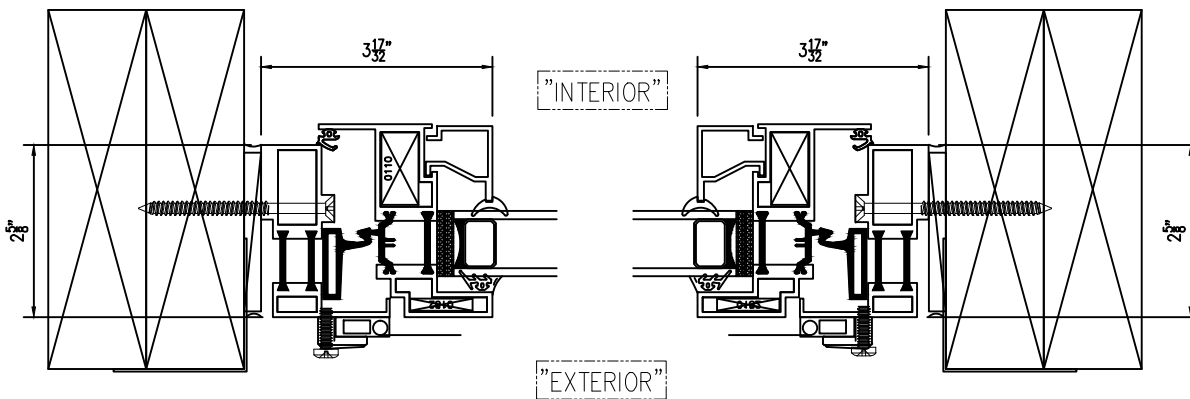
"EXTERIOR"

"INTERIOR"



CRANK DYAD OPERATOR

H7252



V7251

V7252

DETAIL NAME:	EUROPEAN – HOPPER
BLOCK NAME:	
APPROVED BY:	APPROVAL DATE:
DRAWN BY: AJM	REVISED BY:
DRAWING DATE:	REVISION DATE: