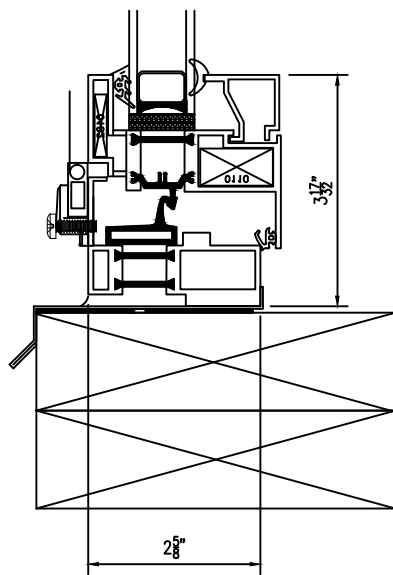
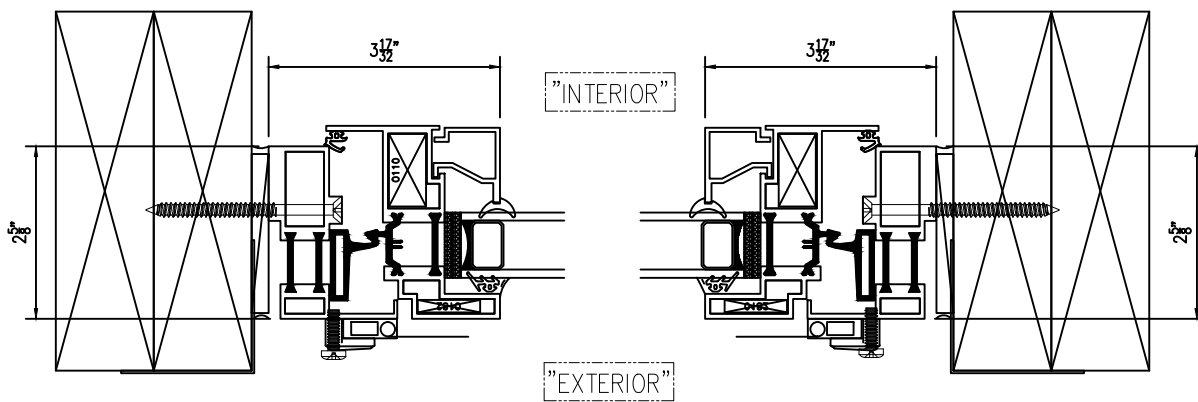


H7251



CRANK DYAD OPERATOR

H7252



V7251

V7252

DETAIL NAME:	EUROPEAN - TILT TURN
BLOCK NAME:	
APPROVED BY:	APPROVAL DATE:
DRAWN BY:	AJM REVISED BY:
DRAWING DATE:	REVISION DATE: