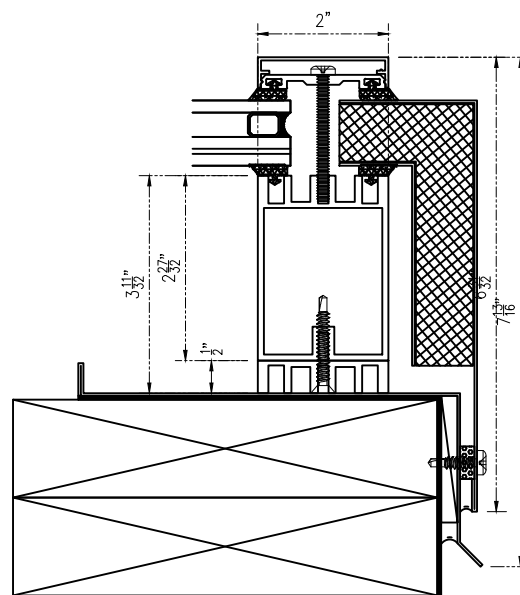


TYPICAL SILL DETAIL

TYPICAL HEAD DETAIL



TYPICAL JAMB DETAIL

DETAIL NAME:	SINGLE SLOPE FIXED – SKYLIGHT
BLOCK NAME:	
APPROVED BY:	APPROVAL DATE:
DRAWN BY:	AJM REVISED BY:
DRAWING DATE:	REVISION DATE: