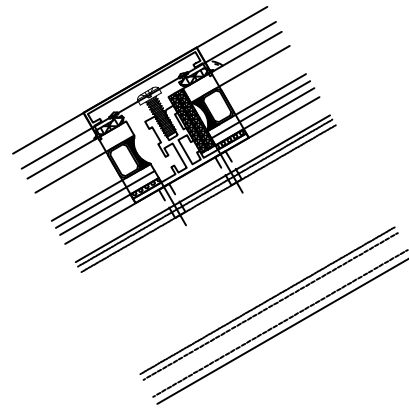


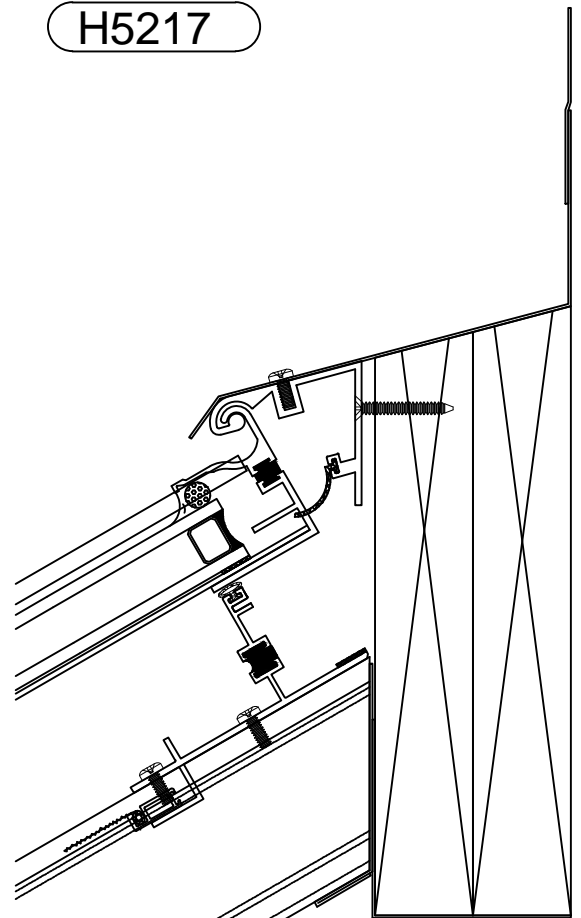
SECTION VIEW  
TYPICAL LEAN-TO RIDGE DETAIL W/  
REGULAR BAR SLOPED RAFTER

H5218



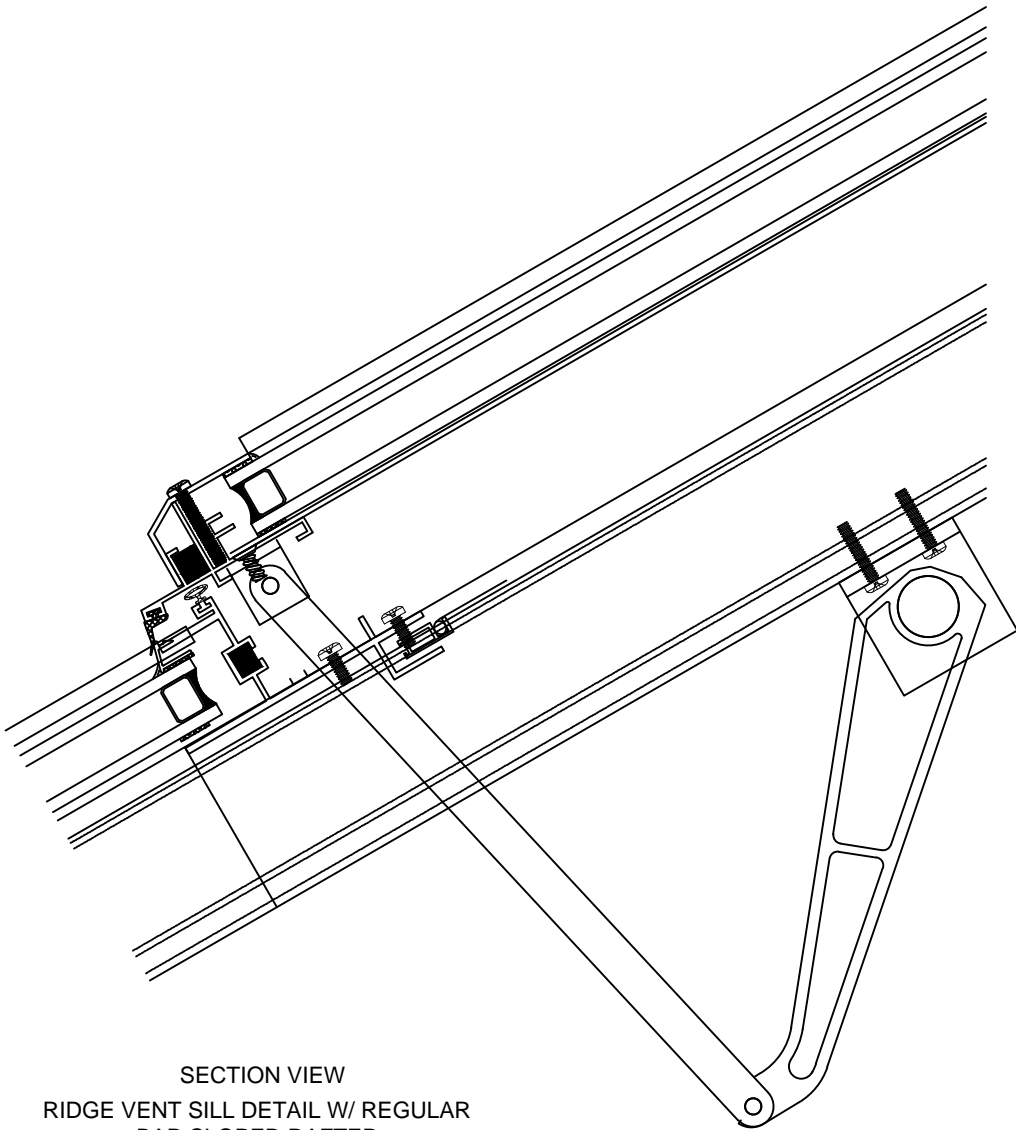
SECTION VIEW  
TYPICAL MUNTIN DETAIL W/  
REGULAR BAR SLOPED RAFTER

H5217



SECTION VIEW  
RIDGE VENT HEAD DETAIL W/ REGULAR  
BAR SLOPED RAFTER

H5220



SECTION VIEW  
RIDGE VENT SILL DETAIL W/ REGULAR  
BAR SLOPED RAFTER

H5219

DETAIL NAME:	STRAIGHT-EAVE LEAN-TO		
BLOCK NAME:			
APPROVED BY:		APPROVAL DATE:	
DRAWN BY:	AJM	REVISED BY:	
DRAWING DATE:		REVISION DATE:	