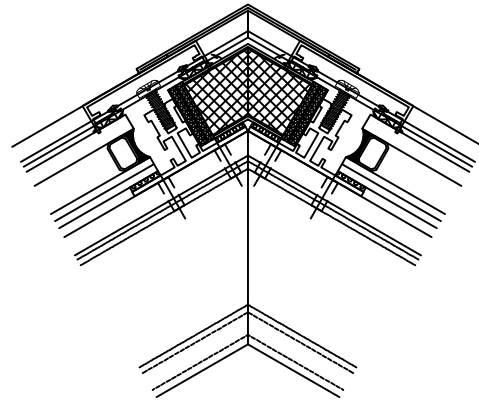


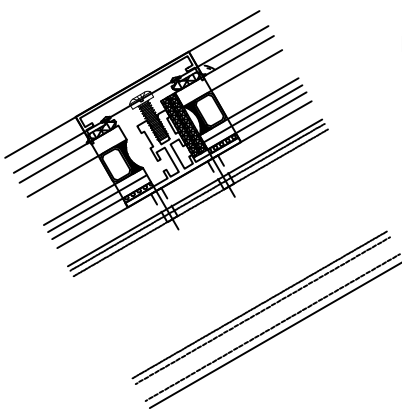
SECTION VIEW
 RIDGE VENT HEAD DETAIL W/ REGULAR
 BAR SLOPED RAFTER

H5220



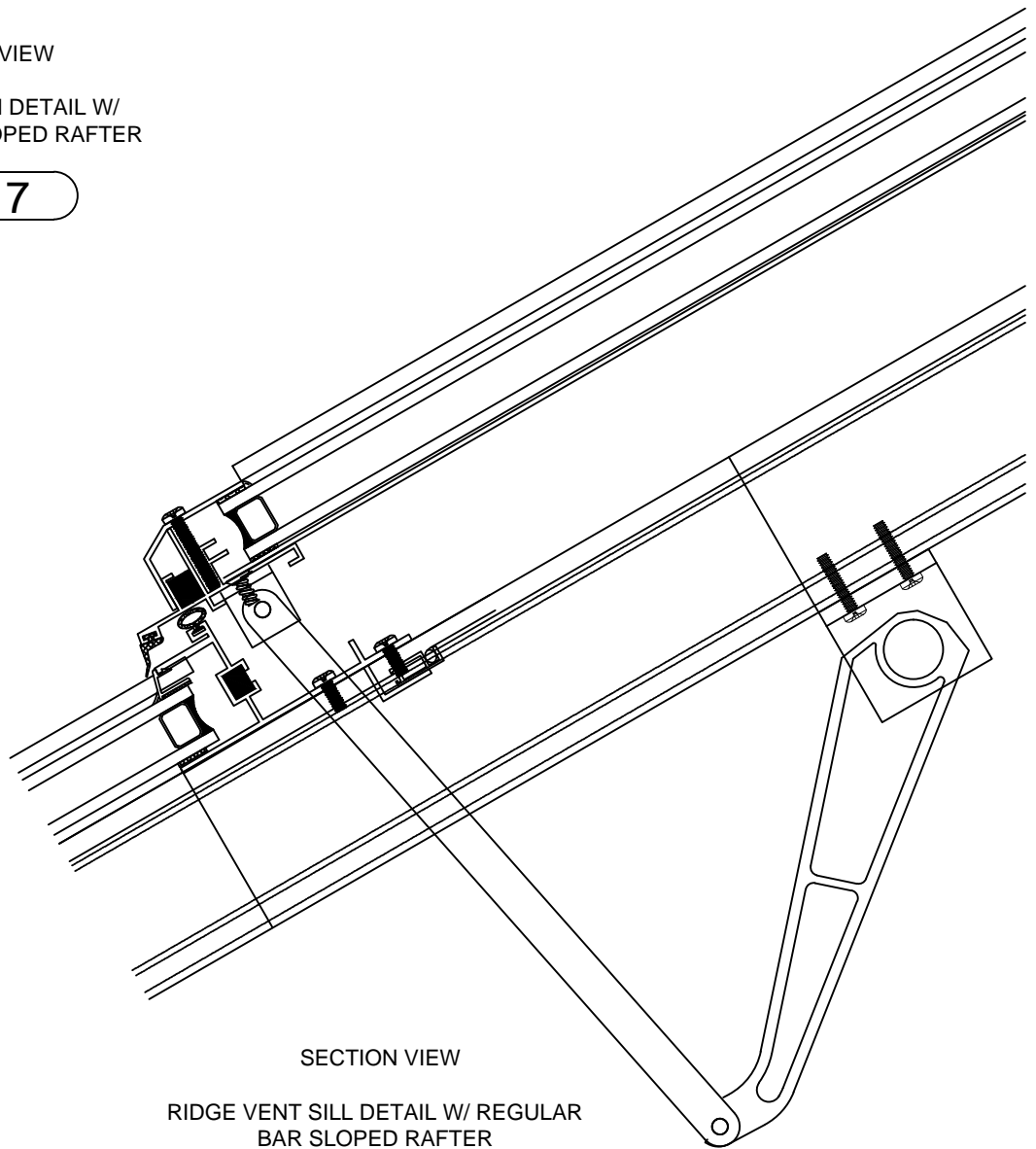
SECTION VIEW
 TYPICAL DOUBLE-PITCH RIDGE DETAIL W/
 REGULAR BAR SLOPED RAFTER

H5218



SECTION VIEW
 TYPICAL MUNTIN DETAIL W/
 REGULAR BAR SLOPED RAFTER

H5217



SECTION VIEW
 RIDGE VENT SILL DETAIL W/ REGULAR
 BAR SLOPED RAFTER

H5219



DETAIL NAME:	STRAIGHT-EAVE DOUBLE-PITCH
BLOCK NAME:	
APPROVED BY:	APPROVAL DATE:
DRAWN BY: AJM	REVISED BY:
DRAWING DATE:	REVISION DATE:

"© Copyright 2012 Solar Innovations, Inc. All Rights Reserved. These drawings are applicable only to the product specified herein, are the exclusive sole property of Solar Innovations, Inc., and are considered both confidential and proprietary. Any use of the information, design or drawings contained herein for any purpose whatsoever without the expressed written consent of a Solar Innovations, Inc. authorized individual is forbidden."