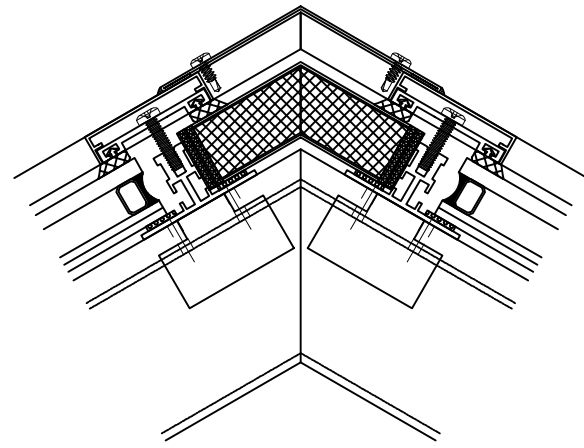


SECTION VIEW

TYPICAL 1" BOXED MUNTIN DETAIL W/
REGULAR BAR SLOPED RAFTER

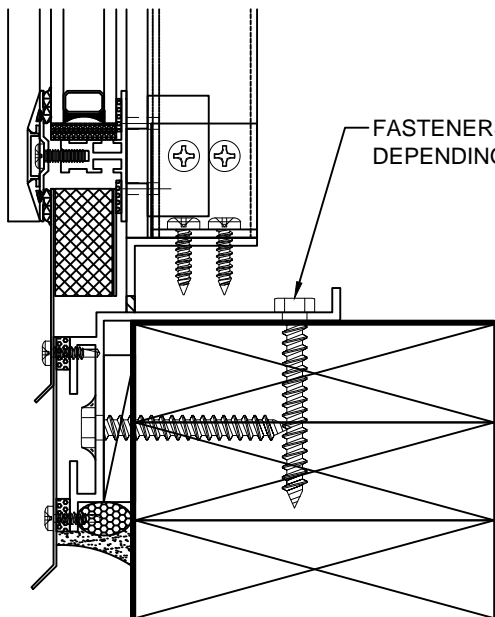
H5203



SECTION VIEW

TYPICAL DOUBLE-PITCH RIDGE DETAIL W/
REGULAR BAR SLOPED RAFTER

H5205

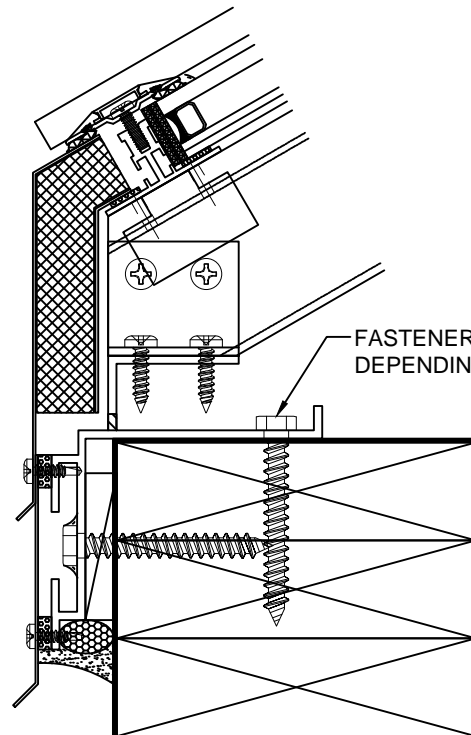


FASTENERS MAY CHANGE
DEPENDING ON ENGINEERING

SECTION VIEW

TYPICAL SILL DETAIL AT
ENDWALL BAR GABLE

H5201



FASTENERS MAY CHANGE
DEPENDING ON ENGINEERING

SECTION VIEW

REGULAR GLAZING BAR
SKYLIGHT SILL DETAIL

H5202