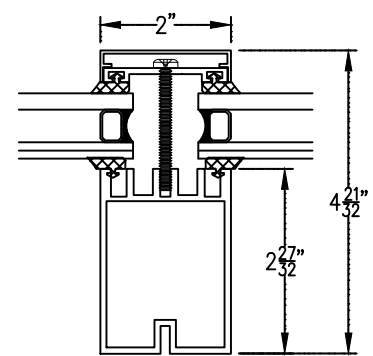


SECTION VIEW  
REGULAR GLAZING BAR  
SKYLIGHT SILL DETAIL

**H5201**



SECTION VIEW ON SLOPE  
REGULAR GLAZING BAR SLOPED  
RAFTER DETAIL

**S5201**

DETAIL NAME: PYRAMID – SKYLIGHT

BLOCK NAME:

APPROVED BY:

APPROVAL DATE:

DRAWN BY:

AJM

REVISED BY:

DRAWING DATE:

REVISION DATE:

"© Copyright 2012 Solar Innovations, Inc. All Rights Reserved. These drawings are applicable only to the product specified herein, are the exclusive sole property of Solar Innovations, Inc., and are considered both confidential and proprietary. Any use of the information, design or drawings contained herein for any purpose whatsoever without the expressed written consent of a Solar Innovations, Inc. authorized individual is forbidden."