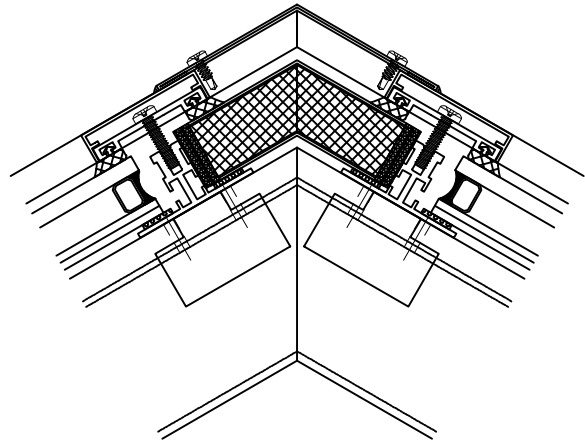


SECTION VIEW ON SLOPE

REGULAR GLAZING BAR SLOPED
HIP RAFTER DETAIL

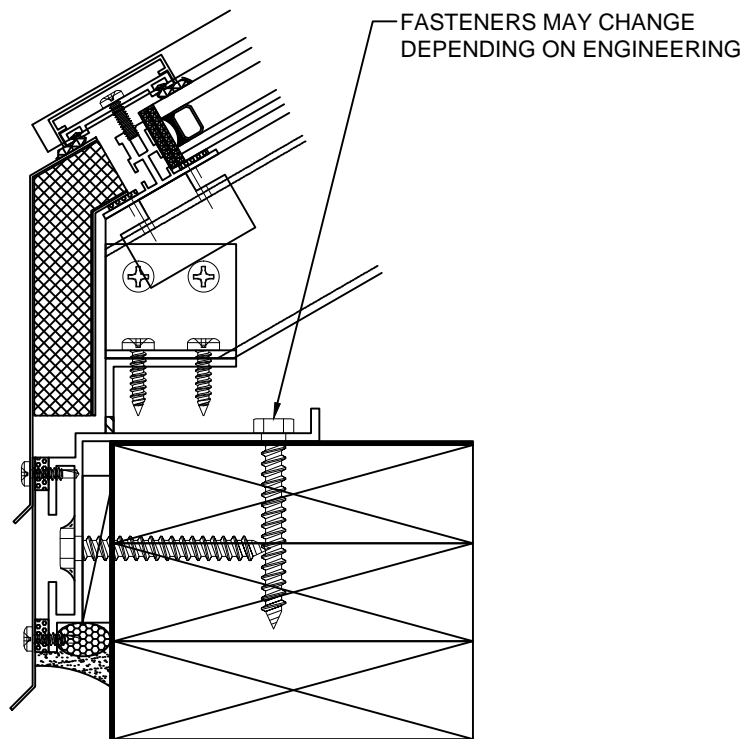
S5202



SECTION VIEW

TYPICAL DOUBLE-PITCH RIDGE DETAIL W/
REGULAR BAR SLOPED RAFTER

H5202



SECTION VIEW
REGULAR GLAZING BAR
SKYLIGHT SILL DETAIL

H5201

| | |
|---------------|--------------------|
| DETAIL NAME: | HIP END – SKYLIGHT |
| BLOCK NAME: | |
| APPROVED BY: | APPROVAL DATE: |
| DRAWN BY: | AJM REVISED BY: |
| DRAWING DATE: | REVISION DATE: |