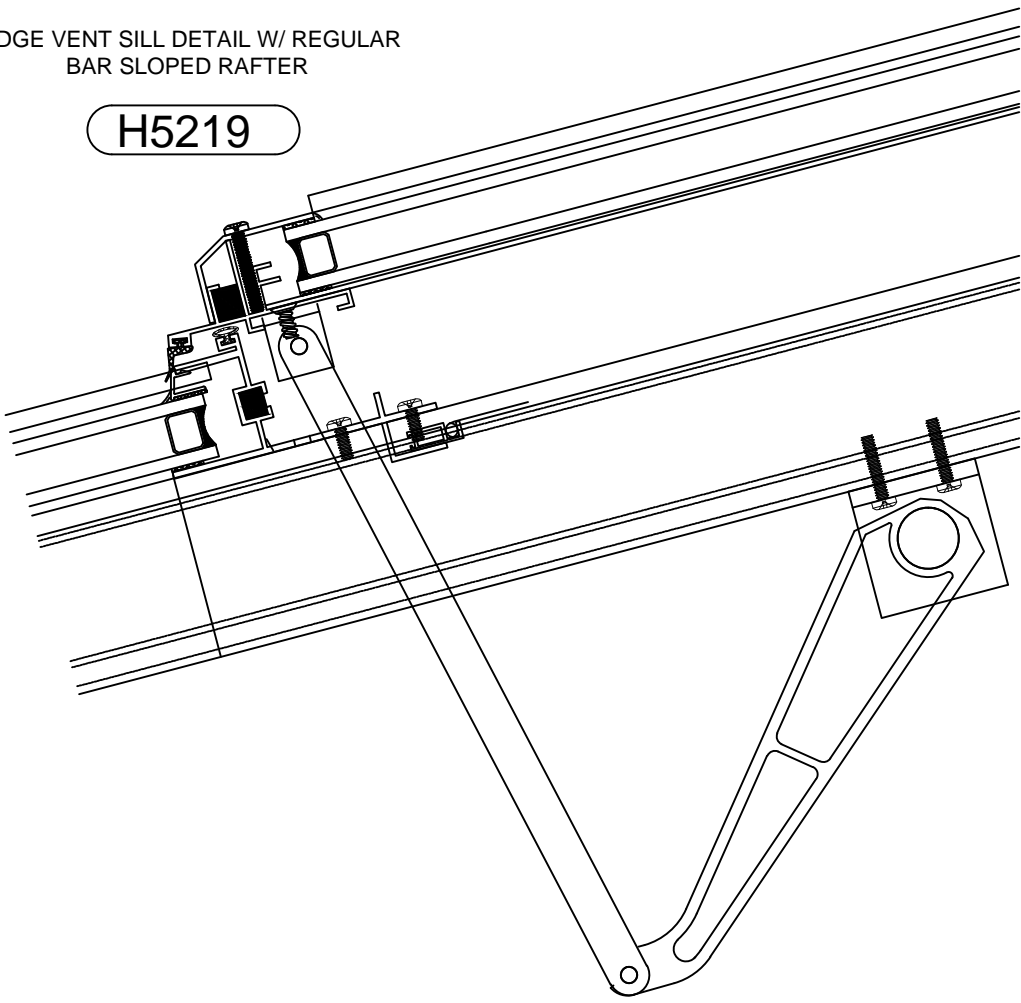


SECTION VIEW

RIDGE VENT SILL DETAIL W/ REGULAR
BAR SLOPED RAFTER

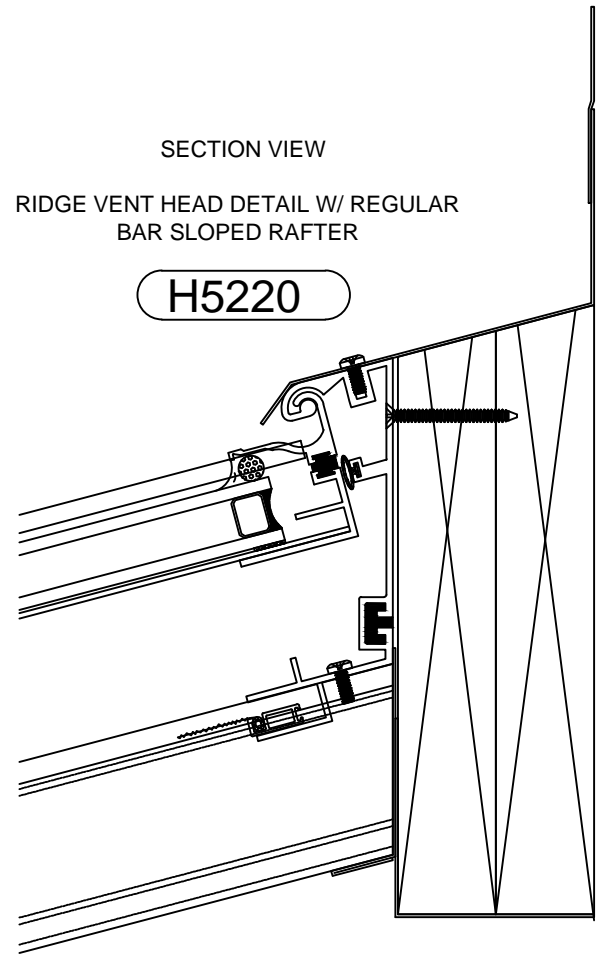
H5219



SECTION VIEW

RIDGE VENT HEAD DETAIL W/ REGULAR
BAR SLOPED RAFTER

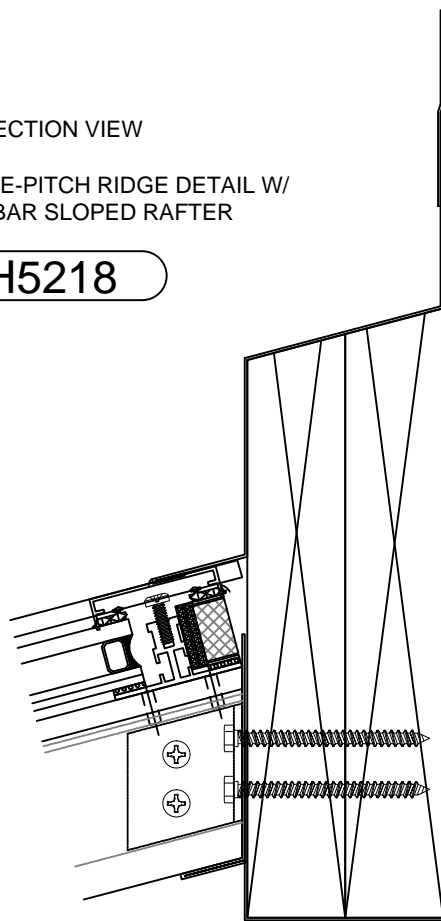
H5220



SECTION VIEW

TYPICAL DOUBLE-PITCH RIDGE DETAIL W/
REGULAR BAR SLOPED RAFTER

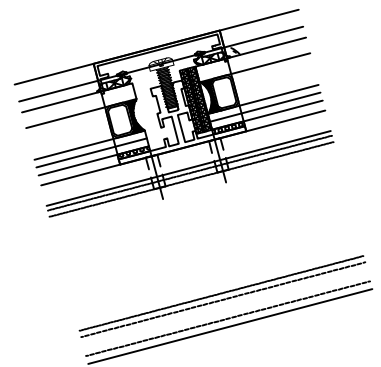
H5218



SECTION VIEW

TYPICAL MUNTIN DETAIL W/
REGULAR BAR SLOPED RAFTER

H5217



DETAIL NAME:	CURVED-EAVE LEAN-TO
BLOCK NAME:	
APPROVED BY:	APPROVAL DATE:
DRAWN BY:	AJM REVISED BY:
DRAWING DATE:	REVISION DATE:

"© Copyright 2012 Solar Innovations, Inc. All Rights Reserved. These drawings are applicable only to the product specified herein, are the exclusive sole property of Solar Innovations, Inc., and are considered both confidential and proprietary. Any use of the information, design or drawings contained herein for any purpose whatsoever without the expressed written consent of a Solar Innovations, Inc. authorized individual is forbidden."