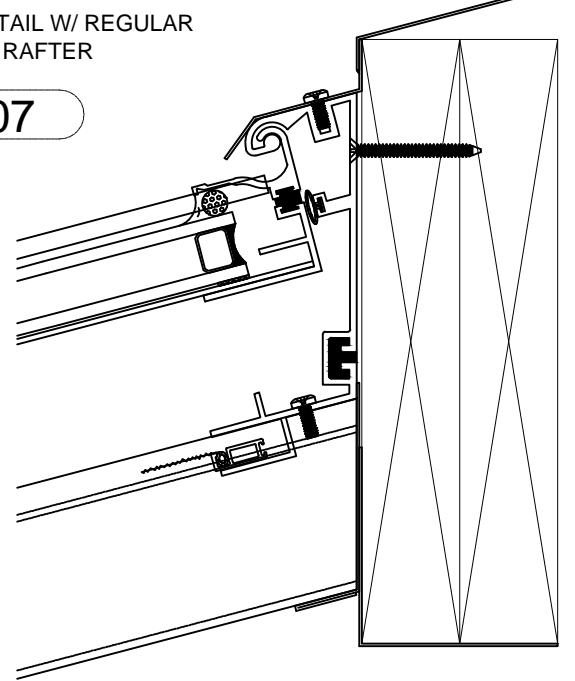


SECTION VIEW

RIDGE VENT HEAD DETAIL W/ REGULAR BAR SLOPED RAFTER

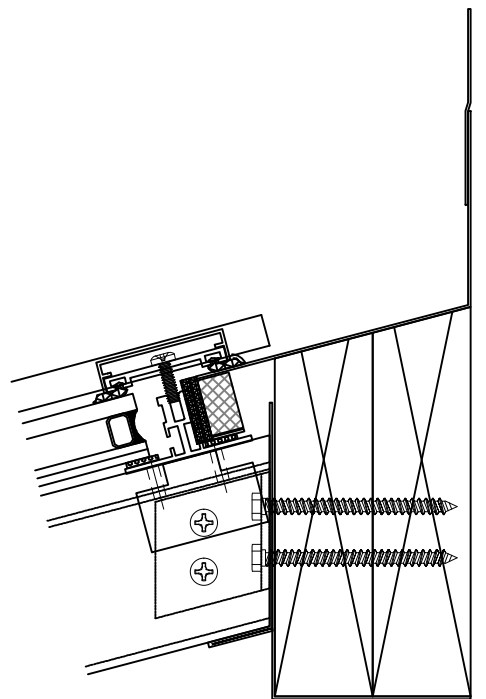
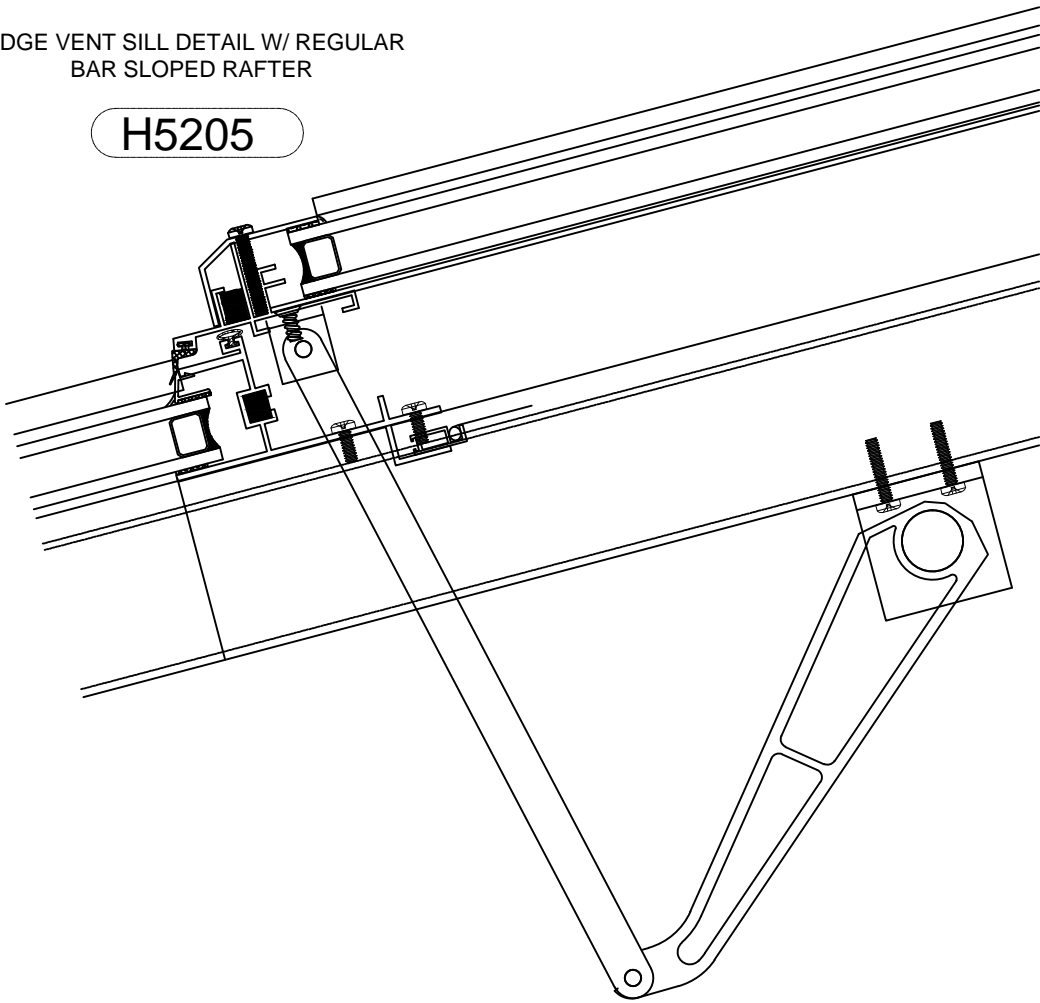
H5207



SECTION VIEW

RIDGE VENT SILL DETAIL W/ REGULAR BAR SLOPED RAFTER

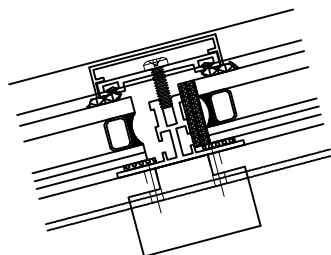
H5205



SECTION VIEW

TYPICAL DOUBLE-PITCH RIDGE DETAIL W/ REGULAR BAR SLOPED RAFTER

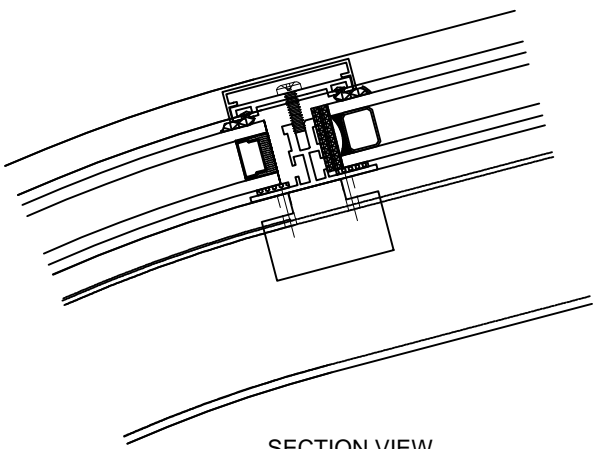
H5206



SECTION VIEW

TYPICAL MUNTIN DETAIL W/ REGULAR BAR SLOPED RAFTER

H5204



SECTION VIEW

EAVE DETAIL W/ REGULAR GLAZING BAR

H5203



31 Roberts Road
Pine Grove, PA 17963
800-618-0669
www.solarinnovations.com

DETAIL NAME: CURVED-EAVE LEAN-TO - SKYLIGHT

BLOCK NAME:

APPROVED BY:

APPROVAL DATE:

DRAWN BY:

AJM

REVISED BY:

DRAWING DATE:

REVISION DATE:

"© Copyright 2012 Solar Innovations, Inc. All Rights Reserved. These drawings are applicable only to the product specified herein, are the exclusive sole property of Solar Innovations, Inc., and are considered both confidential and proprietary. Any use of the information, design or drawings contained herein for any purpose whatsoever without the expressed written consent of a Solar Innovations, Inc. authorized individual is forbidden."