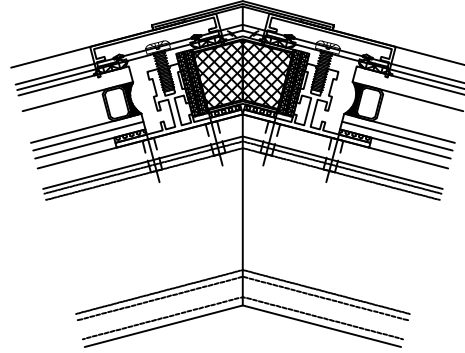


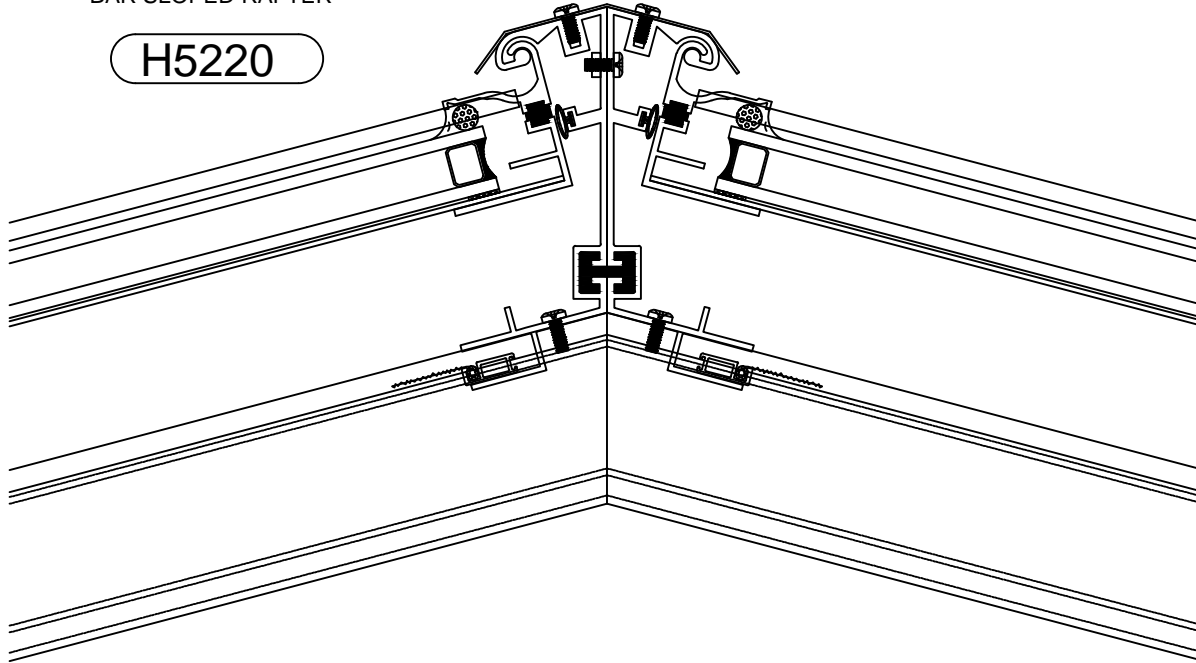
SECTION VIEW  
 TYPICAL DOUBLE-PITCH RIDGE DETAIL W/  
 REGULAR BAR SLOPED RAFTER

H5218



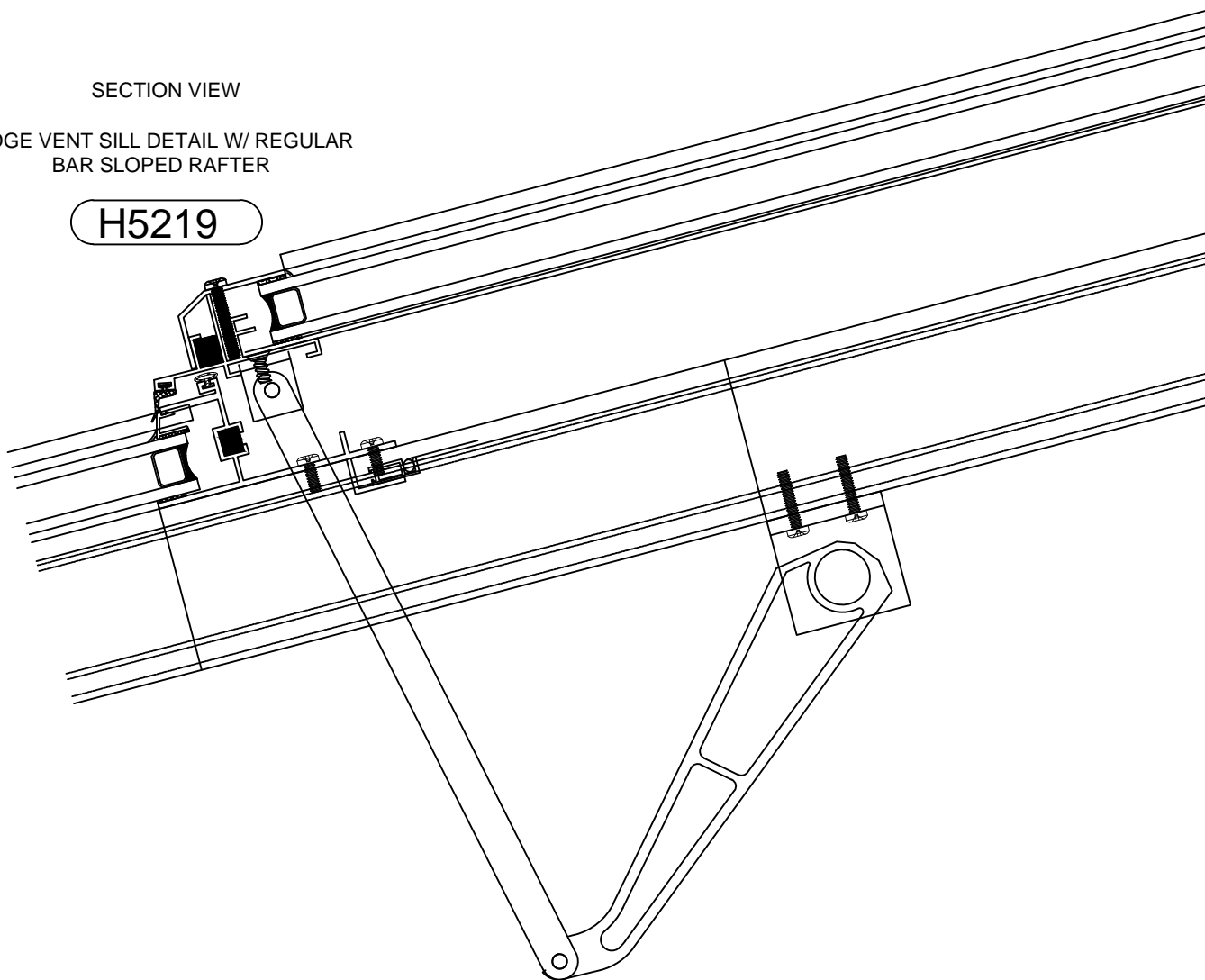
SECTION VIEW  
 RIDGE VENT HEAD DETAIL W/ REGULAR  
 BAR SLOPED RAFTER

H5220



SECTION VIEW  
 RIDGE VENT SILL DETAIL W/ REGULAR  
 BAR SLOPED RAFTER

H5219



DETAIL NAME:	CURVED EAVE – DOUBLE PITCH
BLOCK NAME:	
APPROVED BY:	APPROVAL DATE:
DRAWN BY:	AJM REVISED BY:
DRAWING DATE:	REVISION DATE: