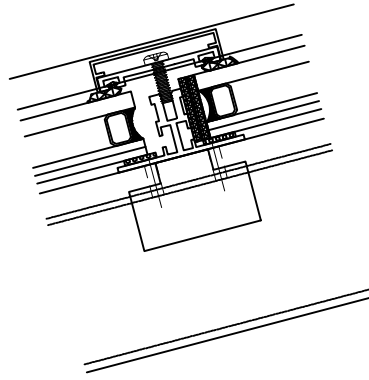
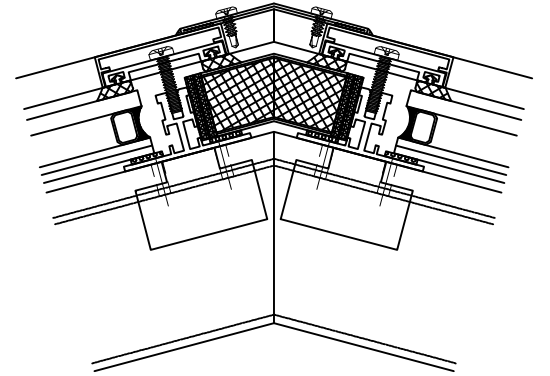


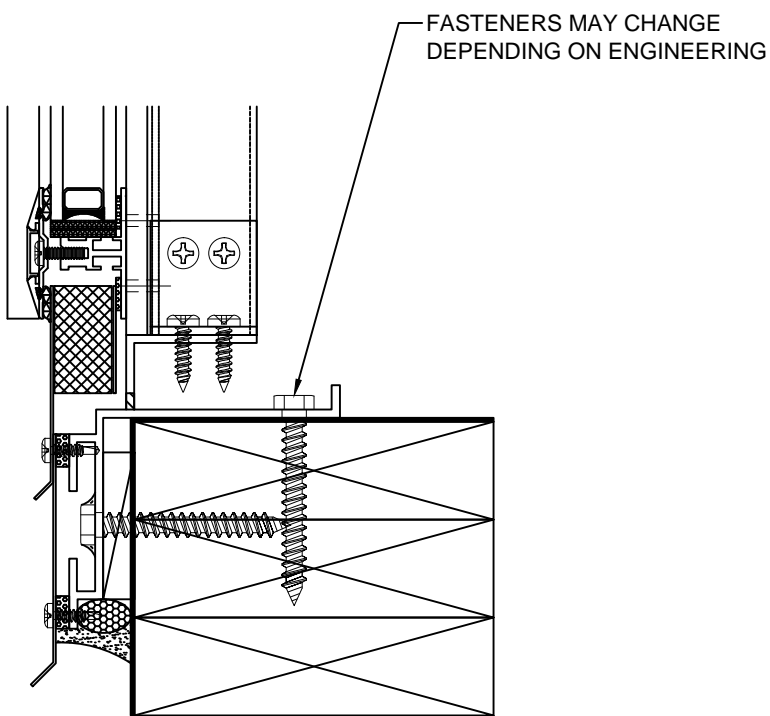
SECTION VIEW  
EAVE DETAIL W/ REGULAR  
GLAZING BAR  
**H5203**



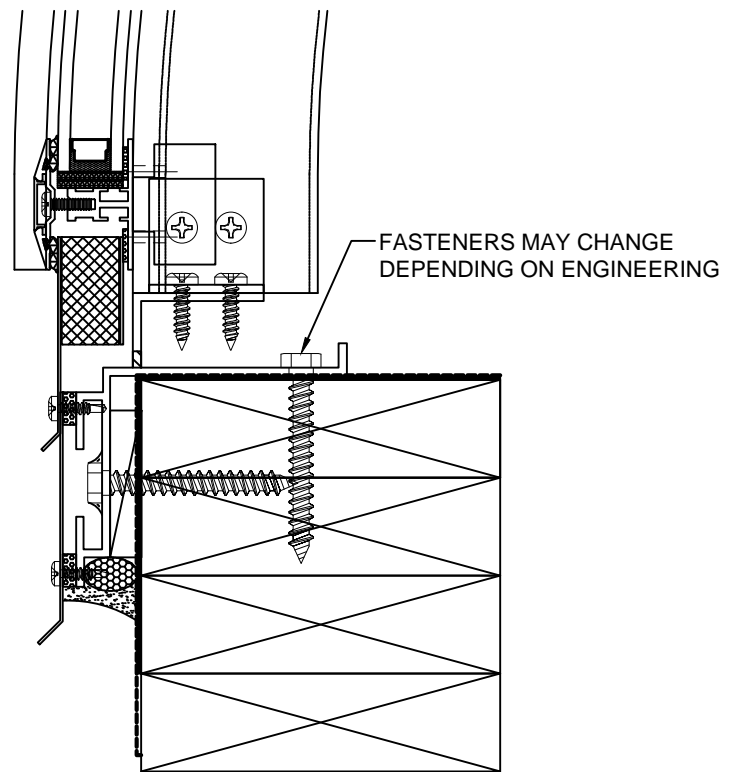
SECTION VIEW  
TYPICAL MUNTIN DETAIL W/  
REGULAR BAR SLOPED RAFTER  
**H5204**



SECTION VIEW  
TYPICAL DOUBLE-PITCH RIDGE DETAIL W/  
REGULAR BAR SLOPED RAFTER  
**H5206**



SECTION VIEW  
TYPICAL SILL DETAIL AT  
ENDWALL BAR GABLE  
**H5201**



SECTION VIEW  
REGULAR GLAZING BAR  
SKYLIGHT SILL DETAIL  
**H5202**

DETAIL NAME:	CURVED-EAVE DOUBLE PITCH - SKYLIGHT
BLOCK NAME:	
APPROVED BY:	APPROVAL DATE:
DRAWN BY: AJM	REVISED BY:
DRAWING DATE:	REVISION DATE: