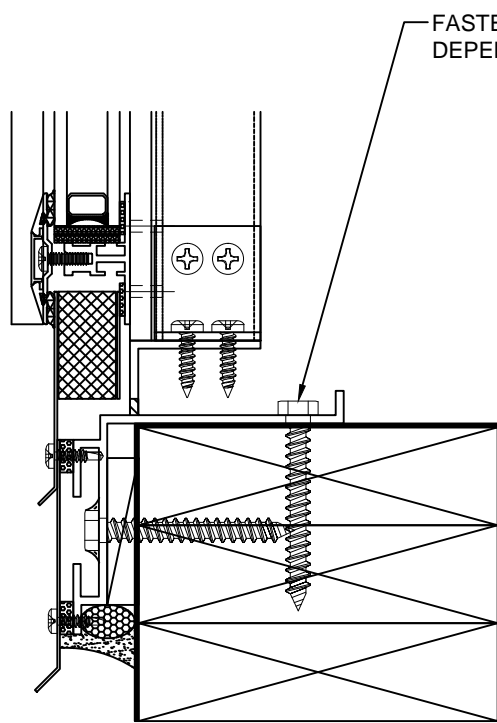


SECTION VIEW

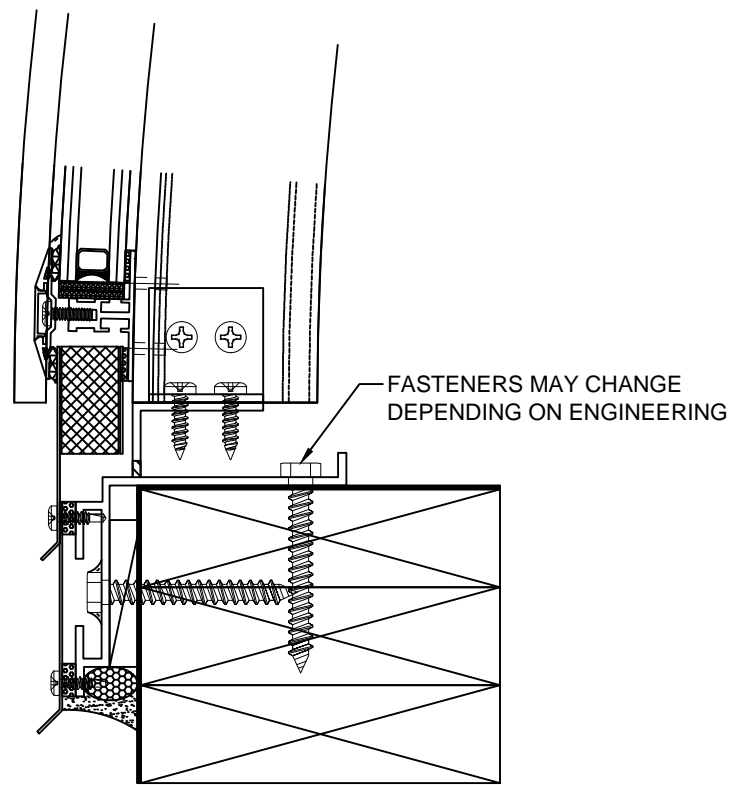
TYPICAL BARREL VAULT RIDGE DETAIL  
W/ REGULAR BAR SLOPED RAFTER

H5203



SECTION VIEW  
TYPICAL SILL DETAIL AT  
ENDWALL BAR GABLE

H5201



SECTION VIEW  
REGULAR GLAZING BAR  
SKYLIGHT SILL DETAIL

H5202

|               |                         |
|---------------|-------------------------|
| DETAIL NAME:  | BARREL VAULT – SKYLIGHT |
| BLOCK NAME:   |                         |
| APPROVED BY:  | APPROVAL DATE:          |
| DRAWN BY:     | AJM REVISED BY:         |
| DRAWING DATE: | REVISION DATE:          |