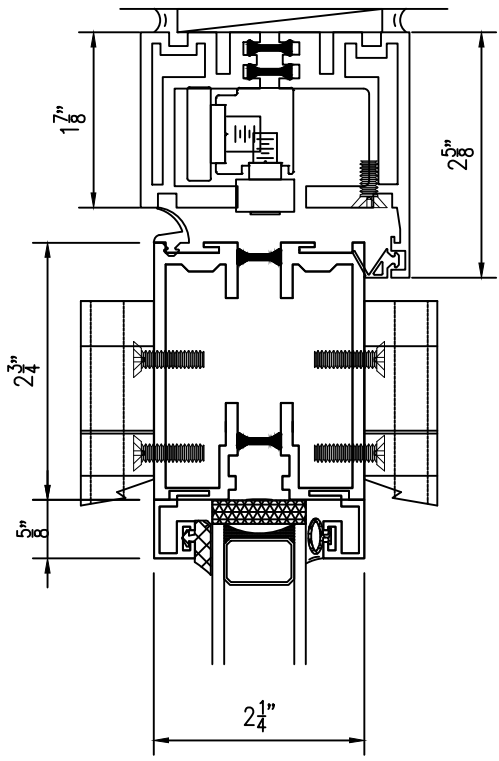
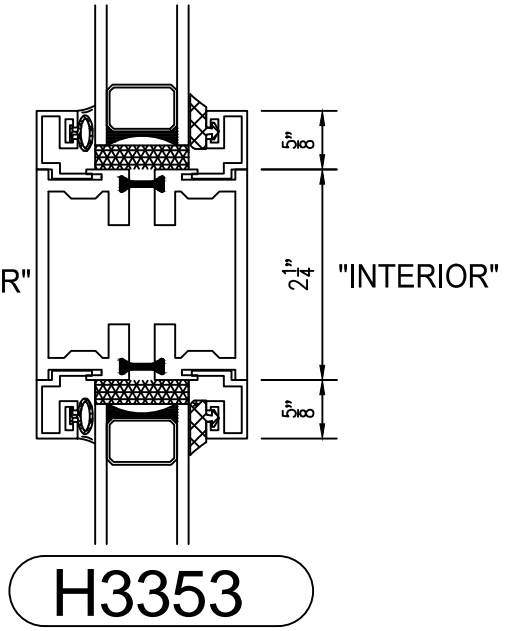


# H3351



"EXTERIOR"

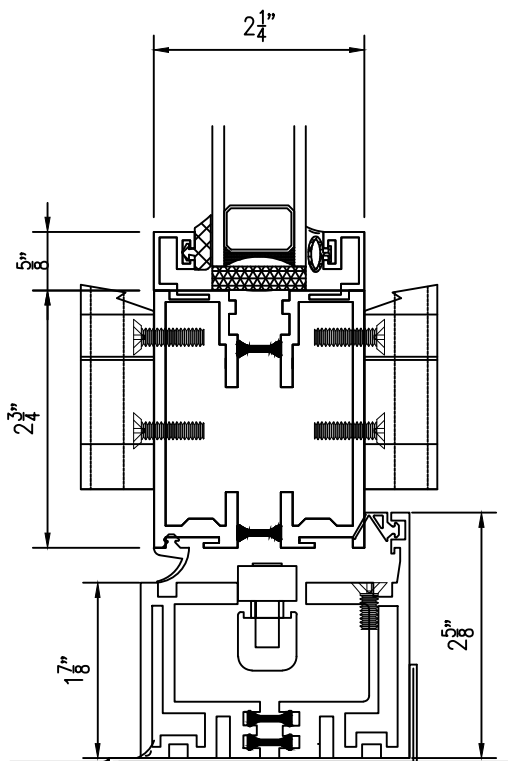
"INTERIOR"



"EXTERIOR"

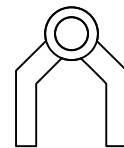
"INTERIOR"

# H3353

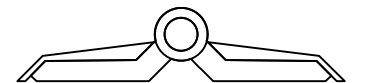


# H3352

STANDARD SILL



SEMI-CONCEALED HINGE



SURFACE MOUNT HINGE

DETAIL NAME:	FGW – TOP LOAD – OUTFOLD
BLOCK NAME:	
APPROVED BY:	APPROVAL DATE:
DRAWN BY:	AJM REVISED BY:
DRAWING DATE:	REVISION DATE: