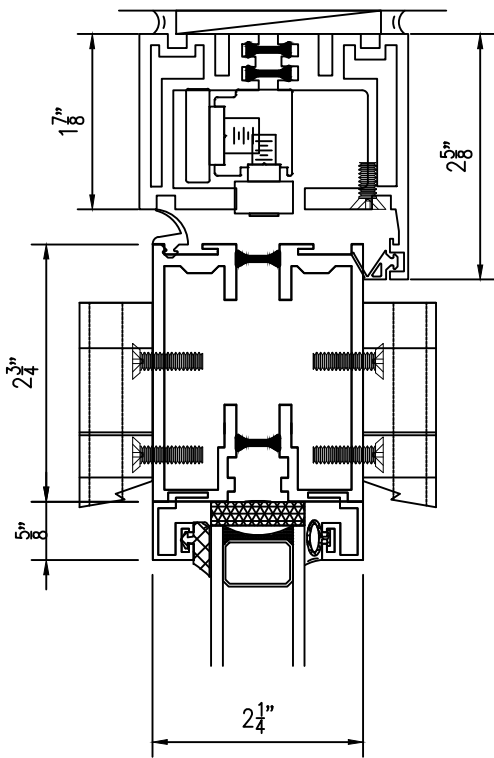
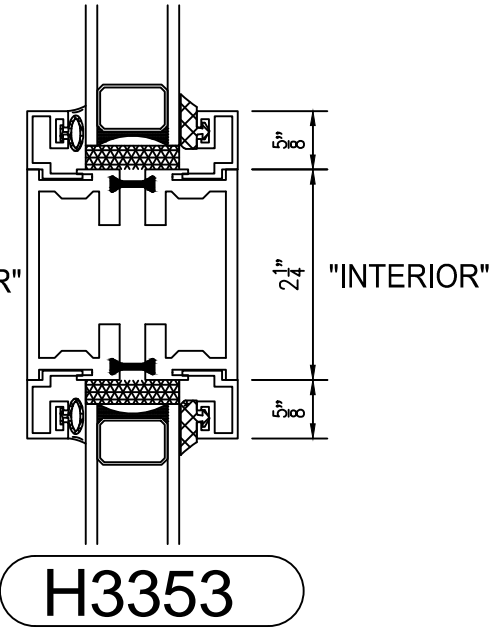


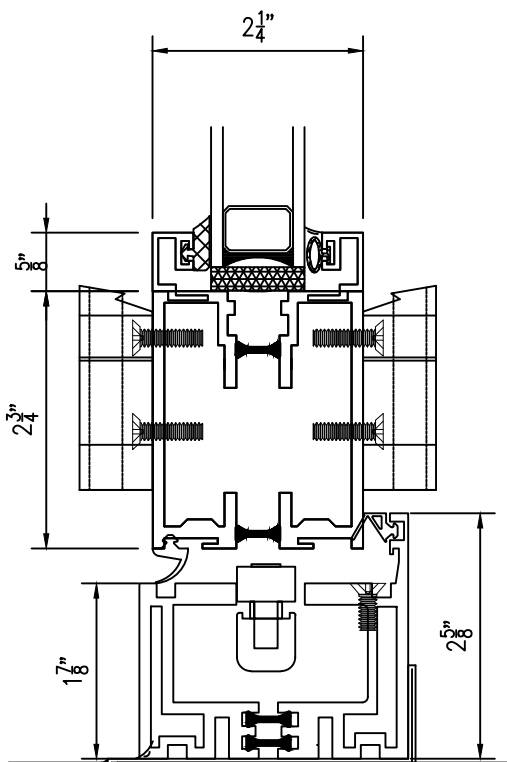
H3351



"EXTERIOR" "INTERIOR"

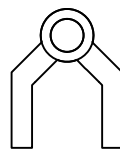


H3353

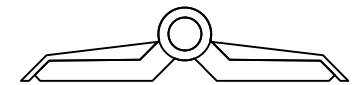


H3352

STANDARD SILL



SEMI-CONCEALED HINGE



SURFACE MOUNT HINGE

SOLAR INNOVATIONS
 31 Roberts Road
 Pine Grove, PA 17963
 800-618-0669
 www.solarinnovations.com

DETAIL NAME:	FGW – BOTTOM LOAD – OUTFOLD
BLOCK NAME:	
APPROVED BY:	APPROVAL DATE:
DRAWN BY:	AJM REVISD BY:
DRAWING DATE:	REVISION DATE:

"© Copyright 2012 Solar Innovations, Inc. All Rights Reserved. These drawings are applicable only to the product specified herein, are the exclusive sole property of Solar Innovations, Inc., and are considered both confidential and proprietary. Any use of the information, design or drawings contained herein for any purpose whatsoever without the expressed written consent of a Solar Innovations, Inc. authorized individual is forbidden."