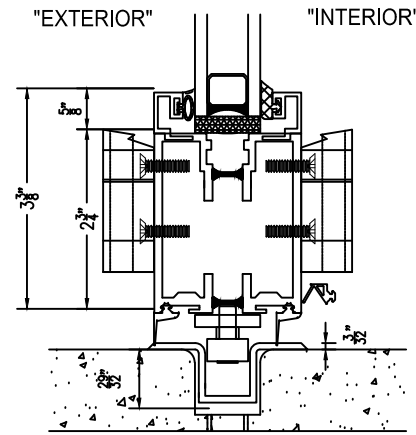


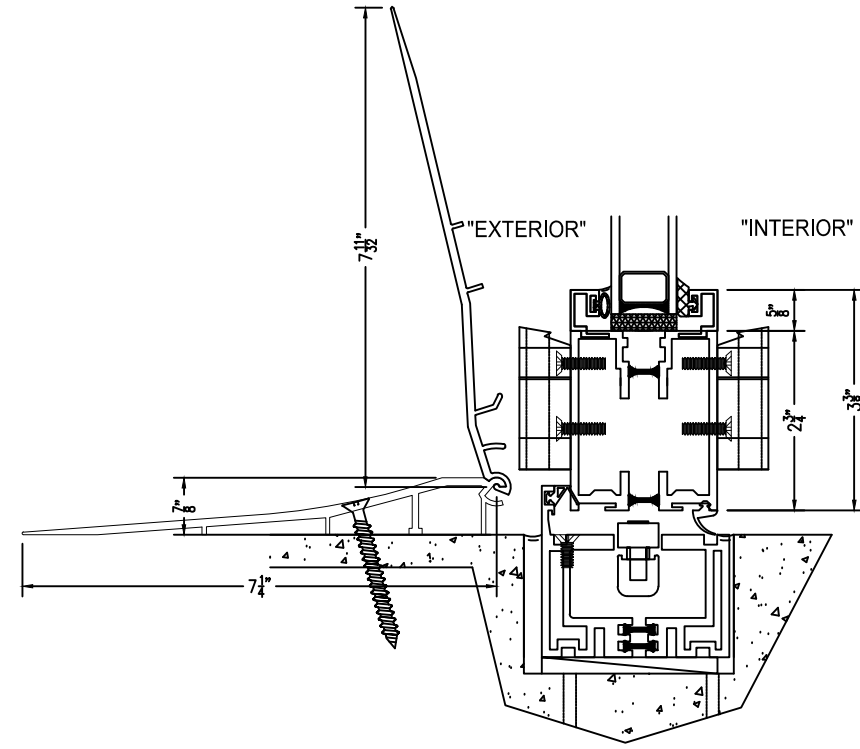
**H3357**

SURFACE MOUNT FLUSH SILL



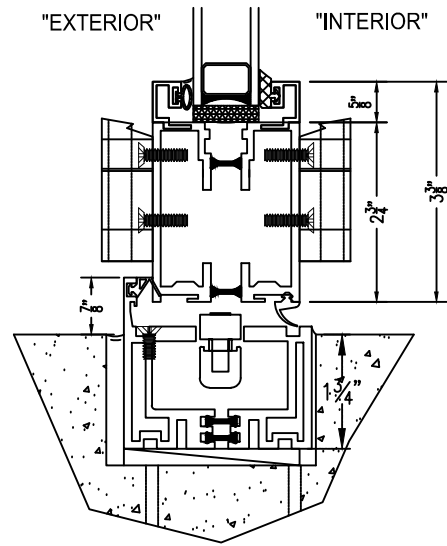
**H3355**

FLUSH SILL



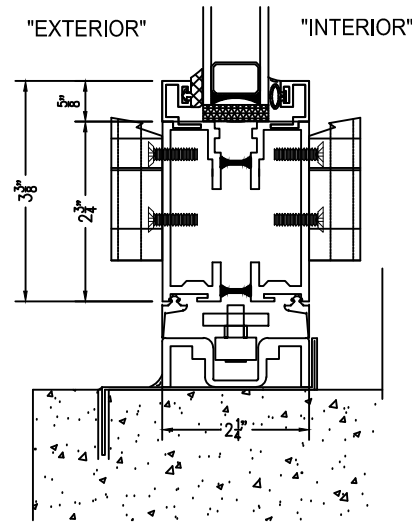
**H3360**

RECESSED SILL W/ ADA COVER



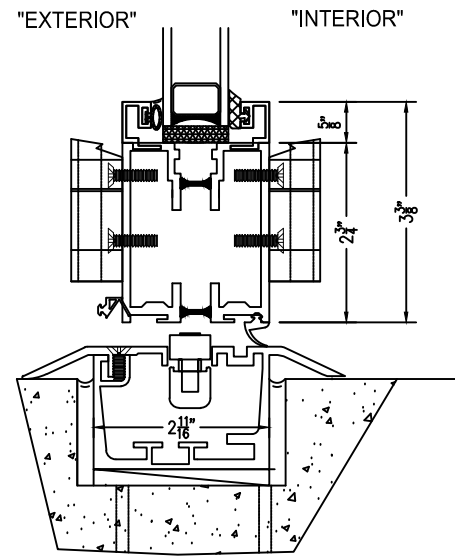
**H3354**

RECESSED SILL



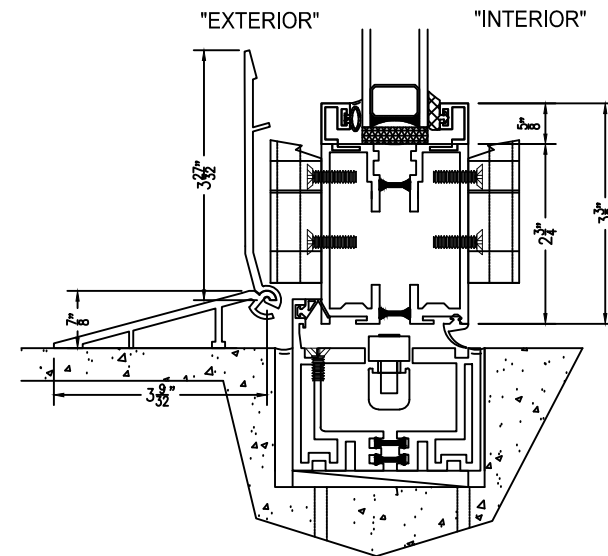
**H3356**

SURFACE MOUNT HAT SILL



**H3358**

RECESSED SILL W/ ADJUSTABLE RAMP



**H3359**

RECESSED SILL W/ COVER

DETAIL NAME: FGW - TOP LOAD - INFOLD - SILL OPTIONS

BLOCK NAME:

APPROVED BY:

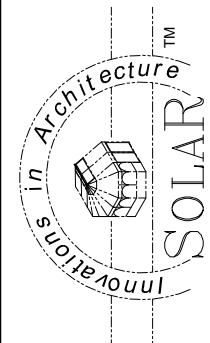
DRAWN BY:

DRAWING DATE:

APPROVAL DATE:

AJM REVISED BY:

REVISION DATE:



**SOLAR INNOVATIONS**

31 Roberts Road  
Pine Grove, PA 17963  
800-618-0669  
www.solarinnovations.com

© Copyright 2012 Solar Innovations, Inc. All Rights Reserved. These drawings are applicable only to the product specified herein, are the exclusive sole property of Solar Innovations, Inc., and are considered both confidential and proprietary. Any use of the information, design or drawings contained herein for any purpose whatsoever without the expressed written consent of a Solar Innovations, Inc. authorized individual is forbidden.