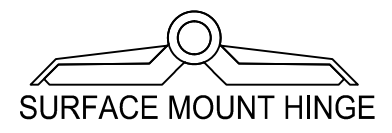
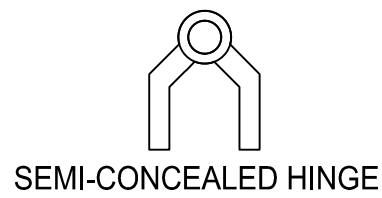
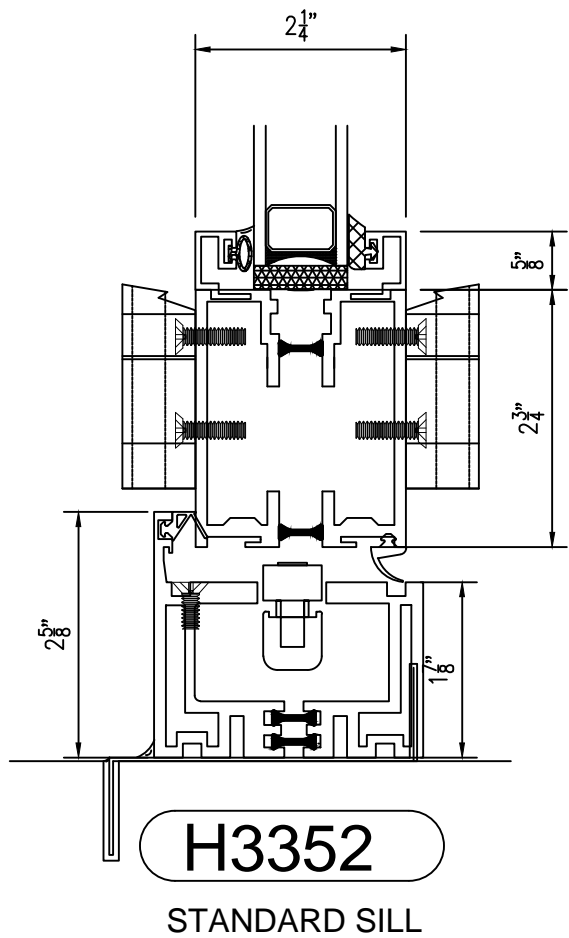
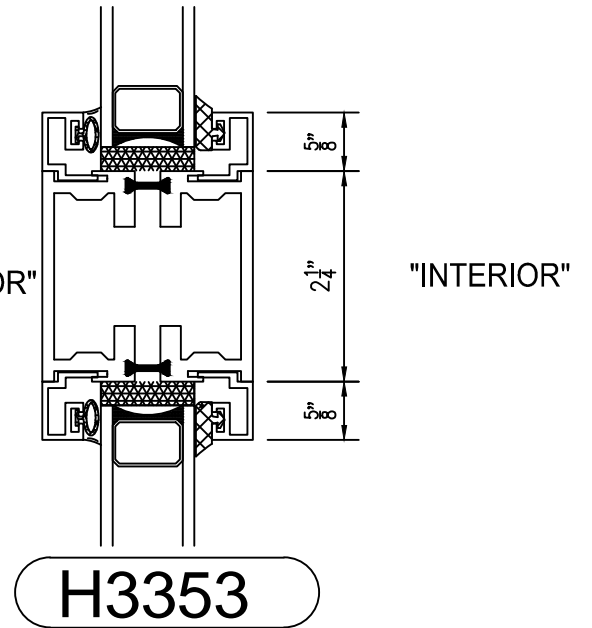
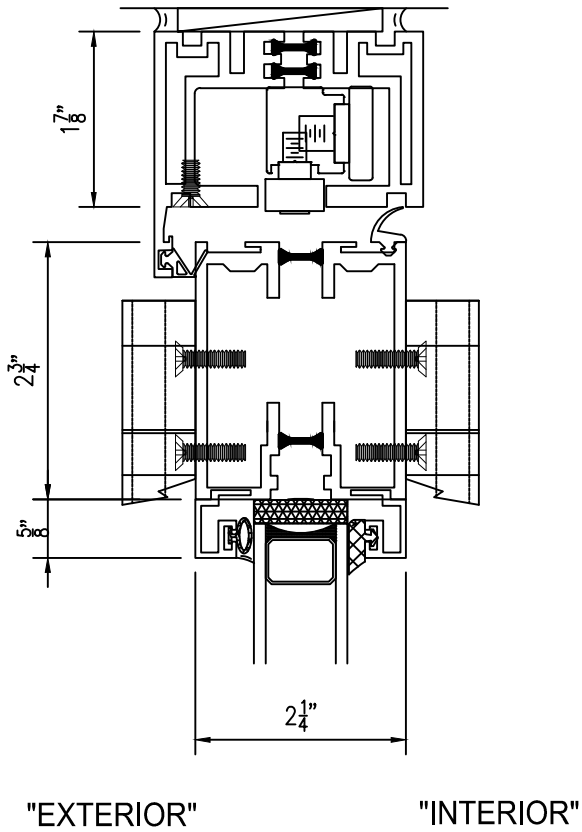


H3351



DETAIL NAME:	FGW – TOP LOAD – INFOLD
BLOCK NAME:	
APPROVED BY:	APPROVAL DATE:
DRAWN BY: AJM	REVISED BY:
DRAWING DATE:	REVISION DATE: