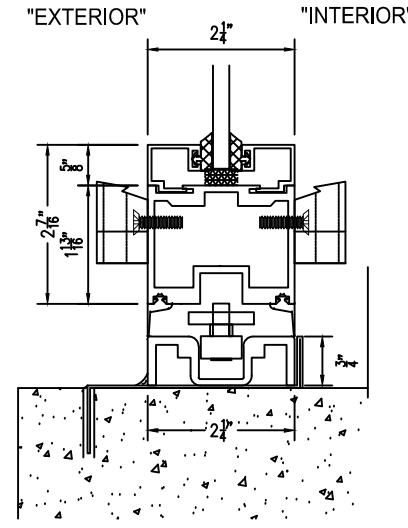
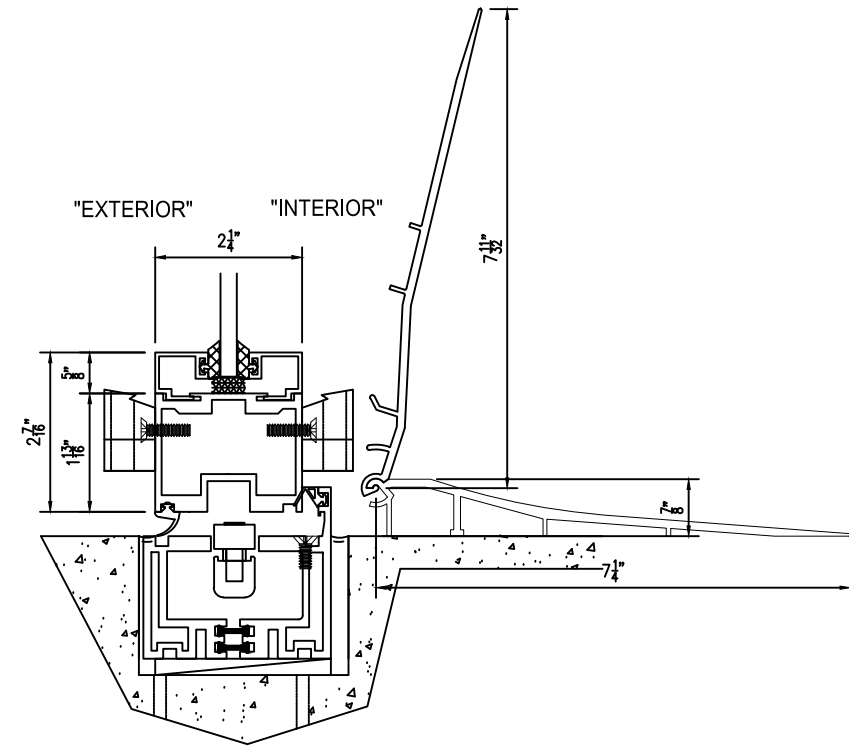


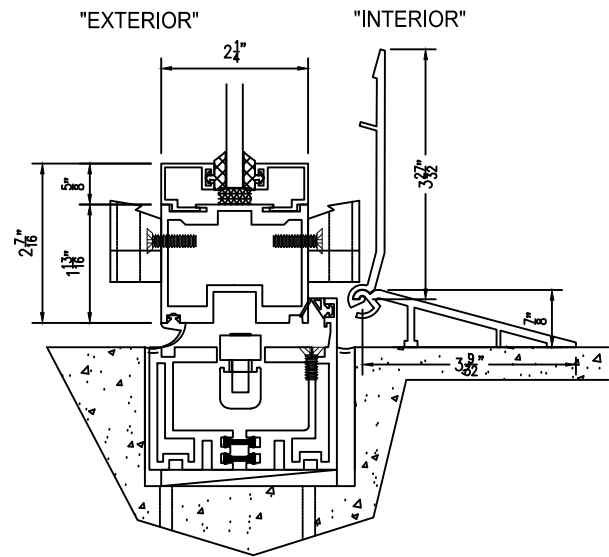
H3250
SURFACE MOUNT FLUSH SILL



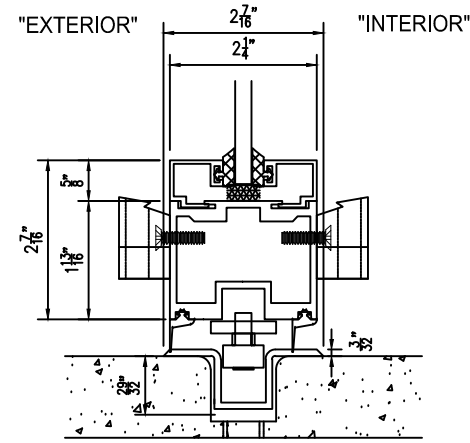
H3250
SURFACE MOUNT HAT SILL



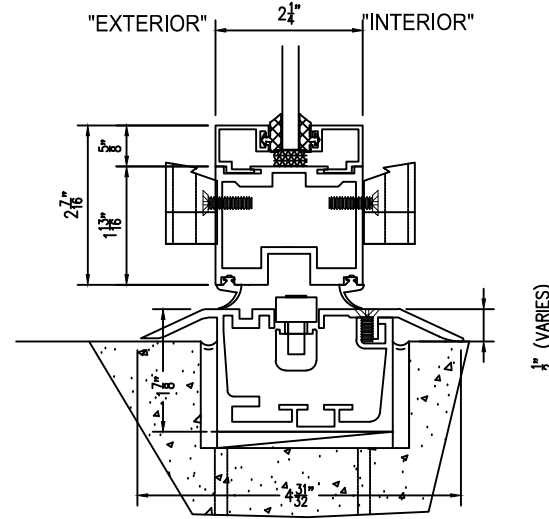
H3250
RECESSED SILL W/ ADA COVER



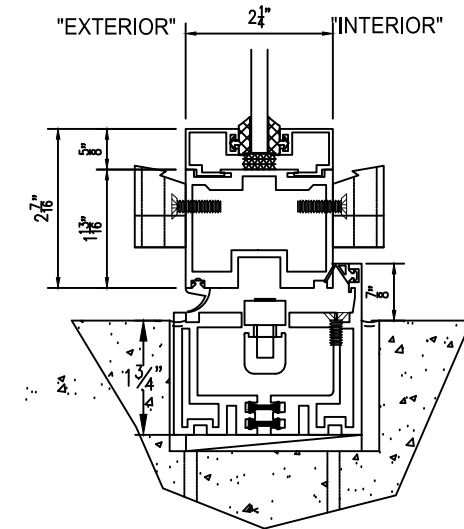
H3250
RECESSED SILL W/ COVER



H3250
FLUSH SILL



H3250
RECESSED SILL W/ ADJUSTABLE RAMPs



H3250
RECESSED SILL

DETAIL NAME: FGW — TOP LOAD — OUTFOLD — SILL OPTIONS

BLOCK NAME:

APPROVED BY:

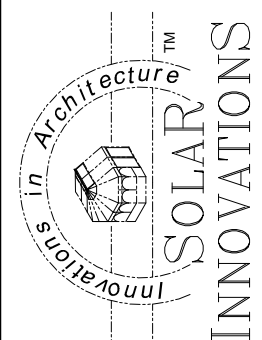
DRAWN BY:

DRAWING DATE:

APPROVAL DATE:

AJM REVISED BY:

REVISION DATE:



31 Roberts Road
Pine Grove, PA 17963
800-618-0669
www.solarinnovations.com

© Copyright 2012 Solar Innovations, Inc. All Rights Reserved. These drawings are applicable only to the product specified herein, are the exclusive sole property of Solar Innovations, Inc., and are considered both confidential and proprietary. Any use of the information, design or drawings contained herein for any purpose whatsoever without the expressed written consent of a Solar Innovations, Inc. authorized individual is forbidden.