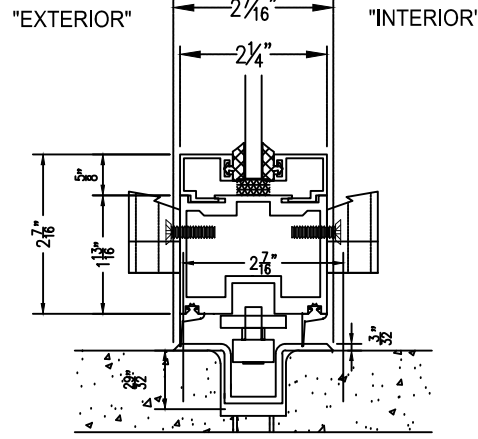


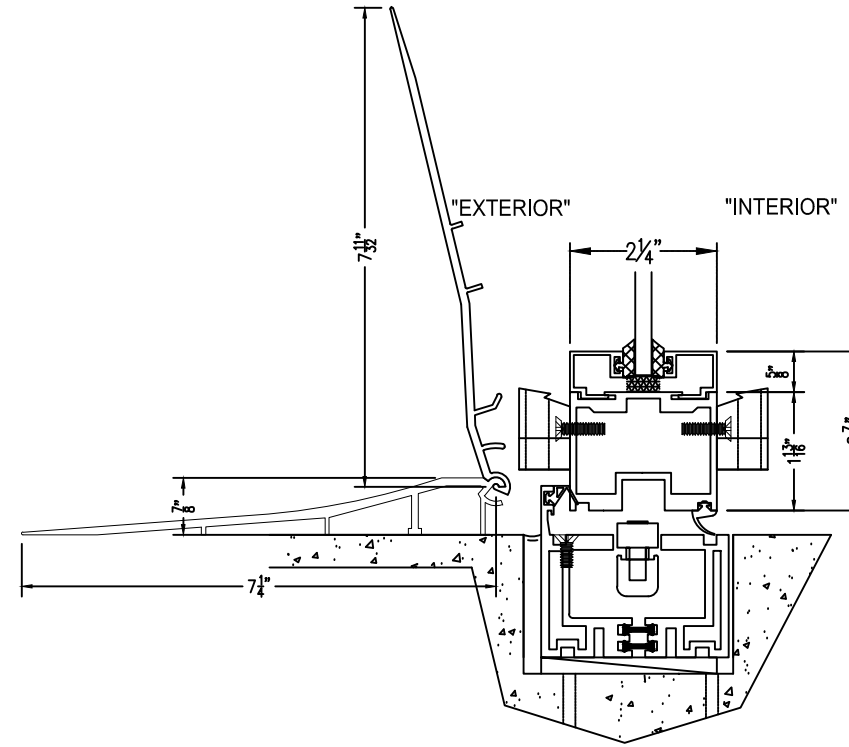
H3250

SURFACE MOUNT FLUSH SILL

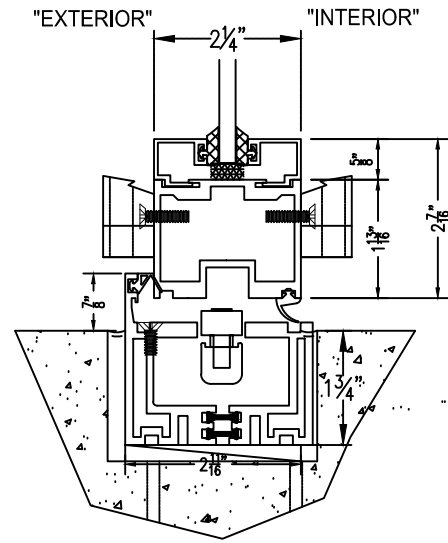


H3250

FLUSH SILL

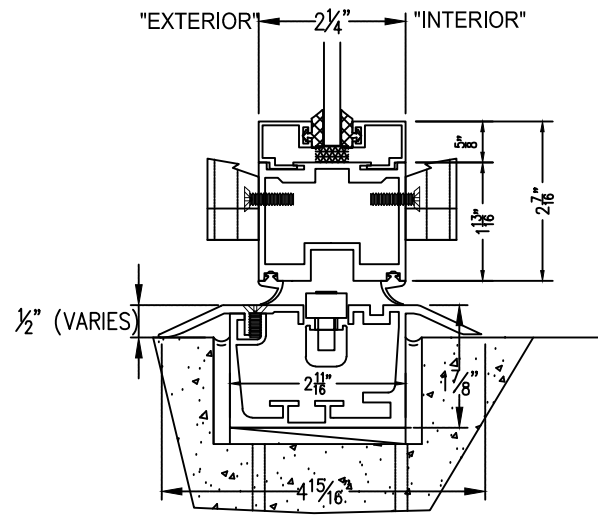


H3250



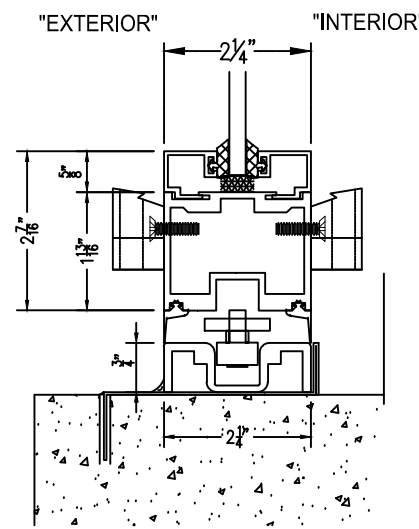
H3250

RECESSED SILL



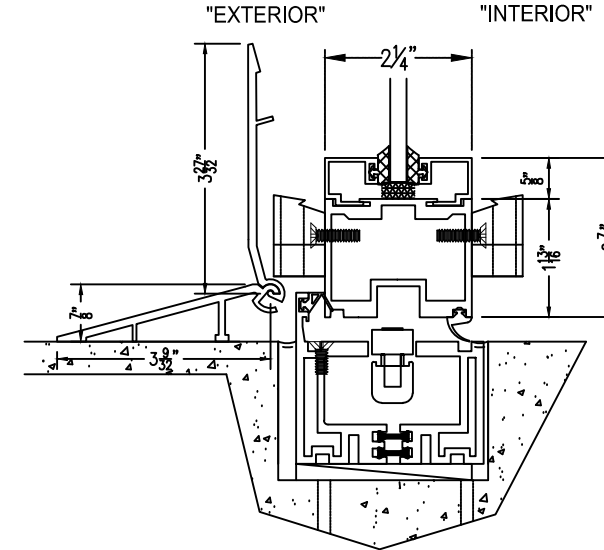
H3250

RECESSED SILL W/ ADJUSTABLE RAMPS



H3250

SURFACE MOUNT HAT SILL



H3250

RECESSED SILL W/ COVER

DETAIL NAME: FGW - TOP LOAD - INFOLD - SILL OPTIONS

BLOCK NAME:

APPROVED BY:

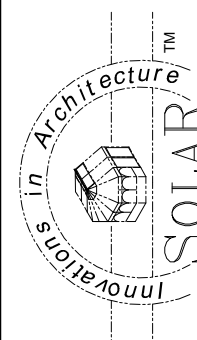
DRAWN BY:

DRAWING DATE:

APPROVAL DATE:

AJM

REVISION DATE:



SOLAR INNOVATIONS

31 Roberts Road
Pine Grove, PA 17963
800-618-0669
www.solarinnovations.com

© Copyright 2012 Solar Innovations, Inc. All Rights Reserved. These drawings are applicable only to the product specified herein, are the exclusive sole property of Solar Innovations, Inc., and are considered both confidential and proprietary. Any use of the information, design or drawings contained herein for any purpose whatsoever without the expressed written consent of a Solar Innovations, Inc. authorized individual is forbidden.