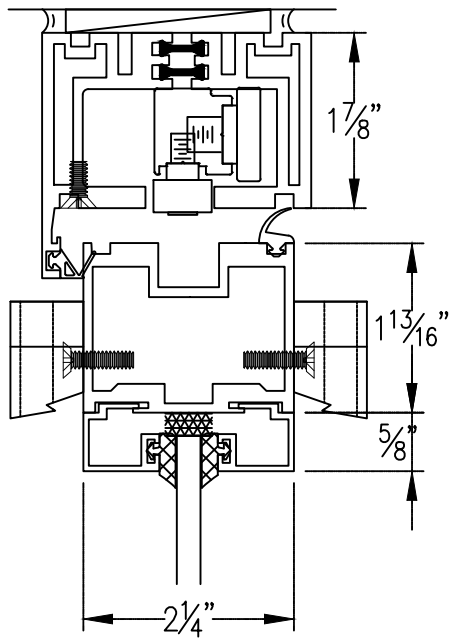
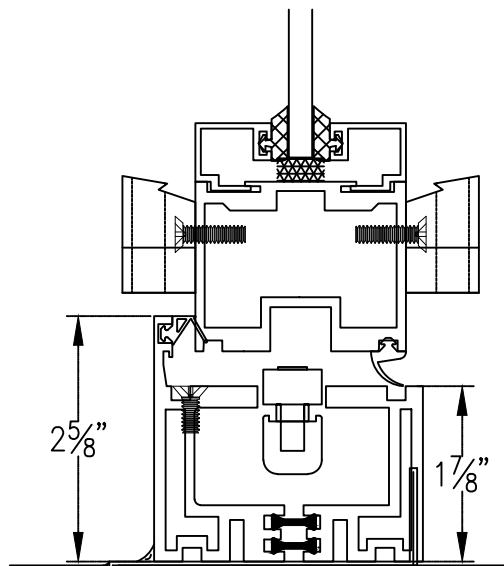


# H3250



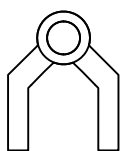
"EXTERIOR"

"INTERIOR"



# H3250

STANDARD SILL



SEMI-CONCEALED HINGE



SURFACE MOUNT HINGE



31 Roberts Road  
Pine Grove, PA 17963  
800-618-0669  
www.solarinnovations.com

DETAIL NAME:	FGW – TOP LOAD – INFOLD
BLOCK NAME:	
APPROVED BY:	APPROVAL DATE:
DRAWN BY:	AJM REVISION DATE:
DRAWING DATE:	REVISION DATE:

"© Copyright 2012 Solar Innovations, Inc. All Rights Reserved. These drawings are applicable only to the product specified herein, are the exclusive sole property of Solar Innovations, Inc., and are considered both confidential and proprietary. Any use of the information, design or drawings contained herein for any purpose whatsoever without the expressed written consent of a Solar Innovations, Inc. authorized individual is forbidden."