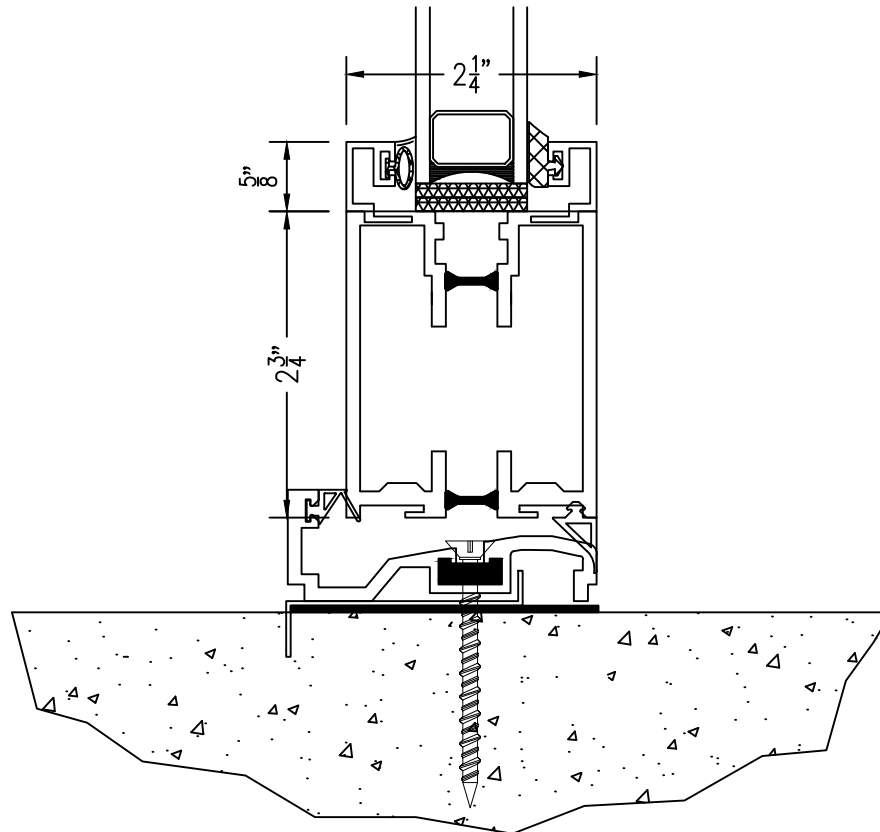
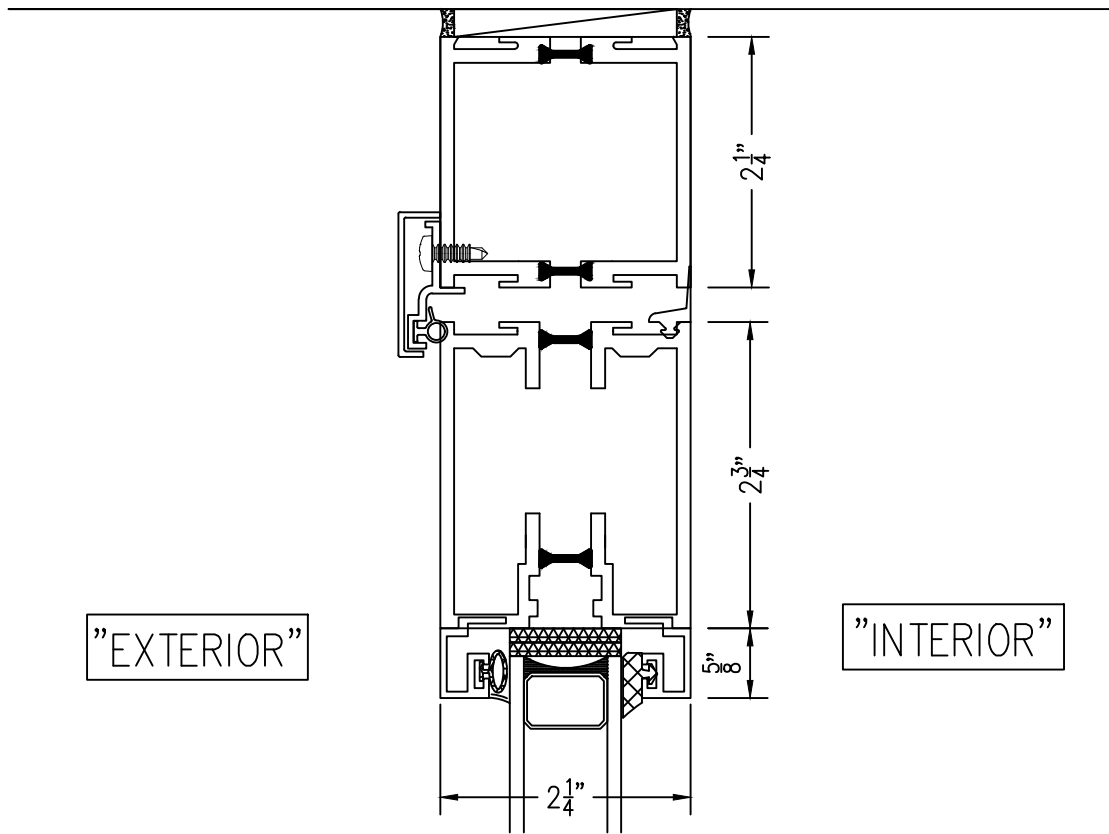


# H2253



STANDARD IN-SWING SILL

# H2254

DETAIL NAME:	FRENCH DOOR – INSWING
BLOCK NAME:	
APPROVED BY:	APPROVAL DATE:
DRAWN BY:	AJM REVISD BY:
DRAWING DATE:	REVISION DATE: